



# PALADIN®

SWEEPSTER

[www.paladinattachments.com](http://www.paladinattachments.com)



## VRS HIGH-CAPACITY PICKUP BROOM

### FOR SKID STEER LOADERS

Sweepster®'s VRS Pick-Up Sweeper (SSL Collector Sweeper With Dust Abatement Capability — Hydraulic Drive) is great for cleaning up parking lots, constructions sites, streets, curbs, and gutters as well as parks and recreation areas, pavement milling operations, and utility work sites. The "volumizing" feature allows the bucket to hold considerably more debris volume with less recirculation when compared to conventional sweepers. This product is also available CE certified.

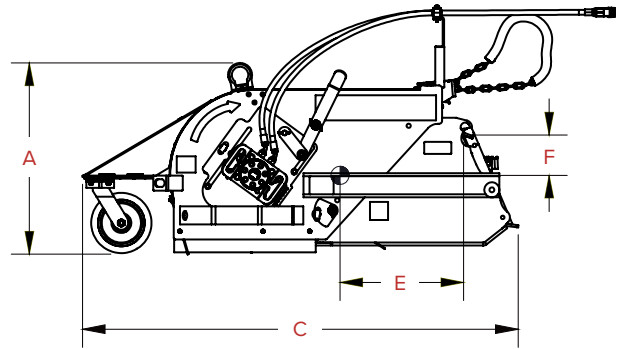
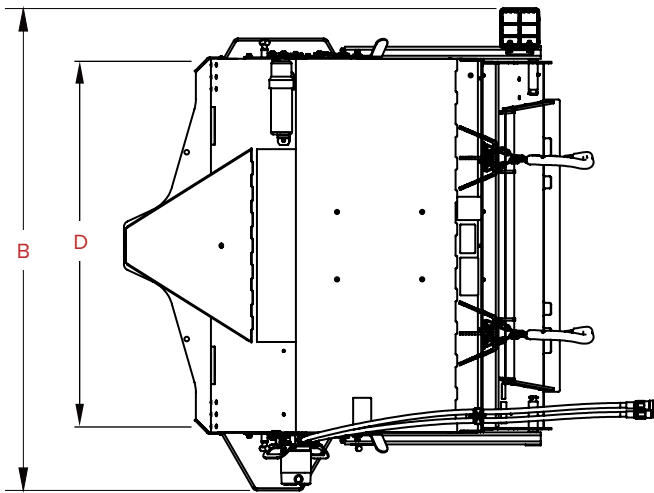
# VRS HIGH-CAPACITY PICKUP BROOM

FOR SKID STEER LOADERS

## FEATURES

- "Volumizing" feature: bucket holds more debris with less recirculation
- High dump design holds sweeper head clear of dumping bucket
- Quick-change brush without breaking hydraulic lines
- The hydraulic motor can be removed for brush change without tools

## SPECIFICATIONS



	7'	8'	9'
A. OVERALL HEIGHT	31.7 in. / 80.5 cm	31.7 in. / 80.5 cm	31.7 in. / 80.5 cm
B. OVERALL WIDTH	78.5 in. / 199.3 cm	90.5 in. / 229.8 cm	102.5 in. / 260.3 cm
C. OVERALL LENGTH	72.5 in. / 184.1 cm	72.5 in. / 184.1 cm	72.5 in. / 184.1 cm
D. SWEEPING WIDTH	60 in. / 152.4 cm	72 in. / 182.9 cm	84 in. / 213.4 cm
E. CENTER OF GRAVITY (HORIZONTAL)	20.5 in. / 52 cm	20.3 in. / 51.6 cm	20.2 in. / 51.3 cm
F. CENTER OF GRAVITY (VERTICAL)	6.7 in. / 17 cm	6.7 in. / 17 cm	6.7 in. / 17 cm
WEIGHT	1150 lbs / 522 kg	1275 lbs / 578 kg	1400 lbs / 635 kg
HYDRAULIC FLOW - 25 CID MOTOR	12 - 25 gpm / 45 - 95 lpm	12 - 25 gpm / 45 - 95 lpm	12 - 25 gpm / 45 - 95 lpm
MAXIMUM PRESSURE - 25 CID MOTOR	3000 psi / 207 bar	3000 psi / 207 bar	3000 psi / 207 bar