



# PALADIN®

SWEEPSTER

[www.paladinattachments.com](http://www.paladinattachments.com)



## 215 SERIES SB HOPPER BROOM

FOR SKID STEER LOADERS

The Skid Steer Loader hydraulic drive collection sweeper by Paladin® is designed to handle both light and heavy-duty clean-up tasks in construction, municipal, and industrial applications. Some of the key features of this sweeper include a heavy-duty cutting edge that comes standard in all models to ensure durability, an enhanced front bumper guard that provides better protection during operation, and a narrower overall attachment width that enables improved mobility and cleanup in confined areas.

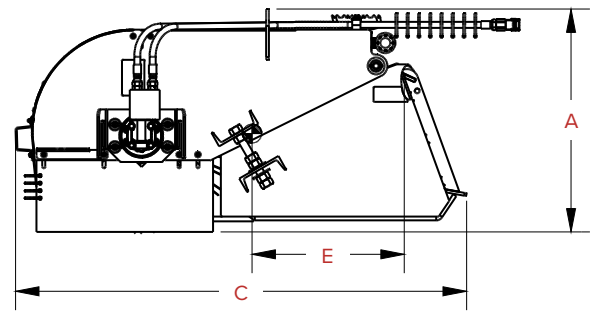
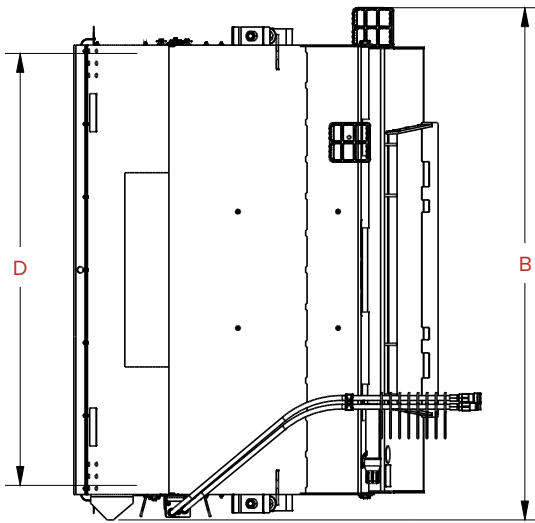
# 215 SERIES SB HOPPER BROOM

FOR SKID STEER LOADERS

## FEATURES

- Direct-drive motor powered from loader hydraulics
- 10-25 GPM flow required (2,000-3,500 psi)
- 26" brush diameter
- Brush head reversible for "dust panning" debris
- Dump bucket by lifting arms
- Quick change core
- Optional High-capacity tank provides over 1 hour of continuous spray between refills

## SPECIFICATIONS



	60"	72"	84"
A. OVERALL HEIGHT	29.7 IN. / 75.4 CM	29.7 IN. / 75.4 CM	29.7 IN. / 75.4 CM
B. OVERALL WIDTH	72.3 IN. / 183.6 CM	84.3 IN. / 214.1 CM	96.3 IN. / 244.6 CM
C. OVERALL LENGTH	61 IN. / 154.9 CM	61 IN. / 154.9 CM	61 IN. / 154.9 CM
D. SWEEPING WIDTH	60 IN. / 152.4 CM	72 IN. / 182.9 CM	84 IN. / 213.4 CM
E. CENTER OF GRAVITY	20.3 IN. / 51.6 CM	20.3 IN. / 51.6 CM	20.3 IN. / 51.6 CM
WEIGHT	943 LBS / 429 KG	1068 LBS / 484 KG	1190 LBS / 540 KG
HYDRAULIC FLOW - 18.7 CID MOTOR	10 - 18 GPM / 38 - 68 LPM	10 - 18 GPM / 38 - 68 LPM	10 - 18 GPM / 38 - 68 LPM
HYDRAULIC FLOW - 24.7 CID MOTOR	15 - 25 GPM / 57 - 95 LPM	15 - 25 GPM / 57 - 95 LPM	15 - 25 GPM / 57 - 95 LPM
MAXIMUM PRESSURE	3500 PSI / 241 BAR	3500 PSI / 241 BAR	3500 PSI / 241 BAR