



## Features

### Available Styles

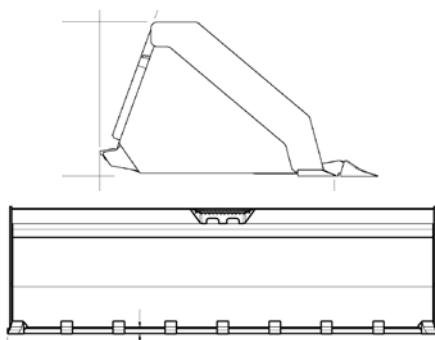
- low profile standard floor
  - low profile long floor
  - heavy duty, high capacity
  - high capacity, light material/snow bucket
- 
- Various sizes & edge hole patterns for common bolt-on wear edges available to assist in your jobs requirements
  - High strength steel construction
  - Standard tooth bars and tooth bars that fit over bolt-on wear edges available
  - Tooth or smooth edge and bolt-on edges with series 23 H&L teeth available

The **Bradco Buckets** by Paladin are available in many styles, sizes and patterns to fit any need.



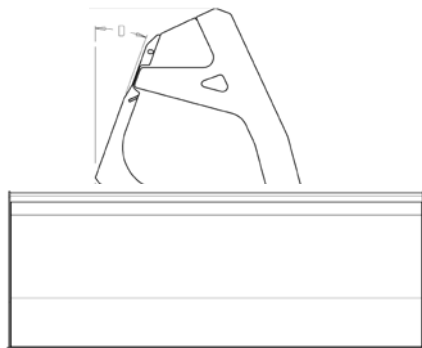
## Heavy Duty High Capacity

- 75", 80" & 84" with 1" cutting edge and back drag plating for strength and protection from wear
- Optional bolt-on wear edge
- Optional bolt-on side cutters
- Strong box sections across the top, heel, and front edge
- High tensile side plates to support greater break out force
- Used for nursery applications, snow removal, & construction
- All bucket sizes available with H&L 23 series weld-on shanks and side pin teeth
- 1 year limited warranty



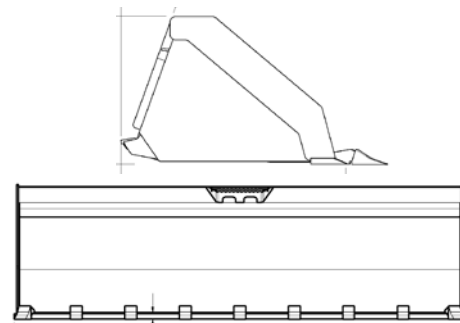
## High Capacity Light Material

- .75" x 6" high carbon, beveled cutting edge
- Optional bolt-on wear edge
- Rolled inside surface for easier material clean out
- Fully integrated torque box design coupled with high tensile steel side profile cutter edges provide more load handling capacity
- Wear plating across bottom to prevent damage on bucket floor
- Forward swept top wrap to better contain wet or loose materials
- Heavy gage bucket wrap material
- 1 year limited warranty



## Low Profile Dirt Bucket

- 30" standard floor buckets for more severe conditions when break out force is required
- 36" long floor buckets for better visibility, productivity & cutting grade
- Heavy edges 1" for 78" width and above ¾" for less than 78"
- Optional bolt-on wear edge
- Optional bolt-on side cutters
- Strong box sections and full wear strips for better bottom protection
- High tensile side cutters tie into the front edge for better support
- All bucket sizes available with H&L 23 series weld-on shanks and side pin teeth
- 1 year limited warranty



SPECIFICATIONS	Heavy-Duty High Capacity			High Capacity Light Material		Low Profile Dirt Bucket						
	75"	80"	84"	84"	96"	60"	63"	66"	72"	78"	82"	84"
Size	75"	80"	84"	84"	96"	60"	63"	66"	72"	78"	82"	84"
Overall Height	25"	25"	25"	35"	35"	20"	20"	20"	20"	20"	20"	20"
Overall Depth	38"	38"	38"	41"	41"	32"	32"	32"	32"	32"	32"	32"
Overall Bucket Width	75"	80"	84"	84"	96"	60"	63"	66"	72"	78"	82"	84"
Rollback Angle	20°	20°	20°	20°	20°	20°	20°	20°	20°	20°	20°	20°
Cutter Edge Thickness	1"	1"	1"	.75"	.75"	.75"	.75"	.75"	.75"	1"	1"	1"
Heaped Capacity Standard Floor		25 <sup>3</sup> ft	27 <sup>3</sup> ft	1.6875 yd	2 yd	12 <sup>3</sup> ft	13 <sup>3</sup> ft	14 <sup>3</sup> ft	15 <sup>3</sup> ft	16 <sup>3</sup> ft	17 <sup>3</sup> ft	18 <sup>3</sup> ft
Heaped Capacity Long Floor						16 <sup>3</sup> ft	17 <sup>3</sup> ft	18 <sup>3</sup> ft	20 <sup>3</sup> ft	21 <sup>3</sup> ft	22 <sup>3</sup> ft	