



# Standard Pipe Forks

## Rugged. Versatile. Dependable.

JRB Standard Pipe Forks by Paladin are specifically designed for pipe handling.

Easily move pipe with our Standard Pipe Forks.

Larger square tube cross members and increased round bar diameter provides a longer product life with fewer repairs and downtime. The high back tine design provides accurate tine top placement at any angle.

Special order carriage width and tine length available upon request. Call JRB for sizing, pricing, and availability.



**Larger Square Tube Cross Members**



**Heavy Duty Drop Forged Tines**

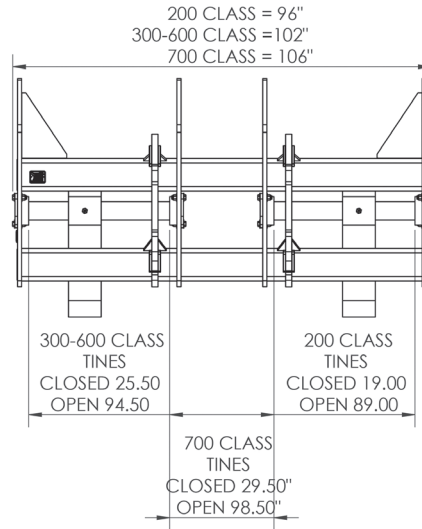
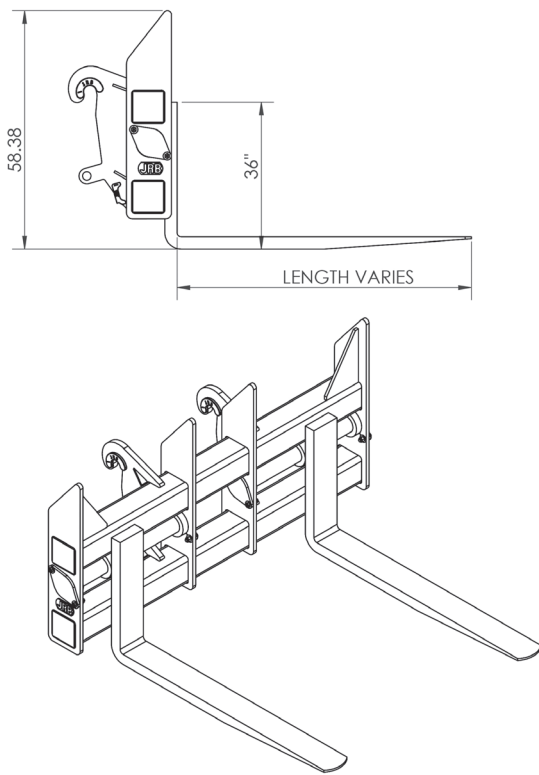


The Power of Combined Excellence®

BRADCO CP CUSTOMWORKS FFC HARLEY J:B McMILLEN SWEEPSTER



# Standard Pipe Forks



- Specifically designed for pipe handling
- High grade Cascade tines
- Larger square tube cross members
- Tall roll guards
- Available as pin-on or compatible with JRB's Quick Coupler System
- Custom carriage widths and tine lengths available

Class	Carriage Width	Tine Length	Tine Size	Round Bar (diameter)	Square Tube (walls)	Weight
200	96"	60"	3" X 7"	4.0"	6" X 6" X .5"	1,825 lbs.
300	102"	60", 72", 96"	3" X 7"	4.0"	6" X 6" X .5"	1,975 - 2,725 lbs.
500	102"	60", 72", 96"	3" X 7"	4.0"	6" X 6" X .5"	2,005 - 2,875 lbs.
600	102"	60", 72", 96"	3" X 8"	4.5"	8" X 8" X .625"	2,875 - 3,700 lbs.
700	106"	72"	3.5" x 8"	5.0"	8" X 8" X .625"	3,990 lbs.

\*102" Carriage width does not require oversize road permit (in most states) when shipping. Come road legal.



"Paladin attachments have the **durability** and performance I can always count on."  
*Jim W., Construction Contractor*

Subject to change without notice.