



A high performance quick coupler based on an absolute flexibility and uncompromising utility.

The DuraLatch™ has been designed from the inside out. It's an excavator tool built to remove hindrances, so you can do your greatest work.

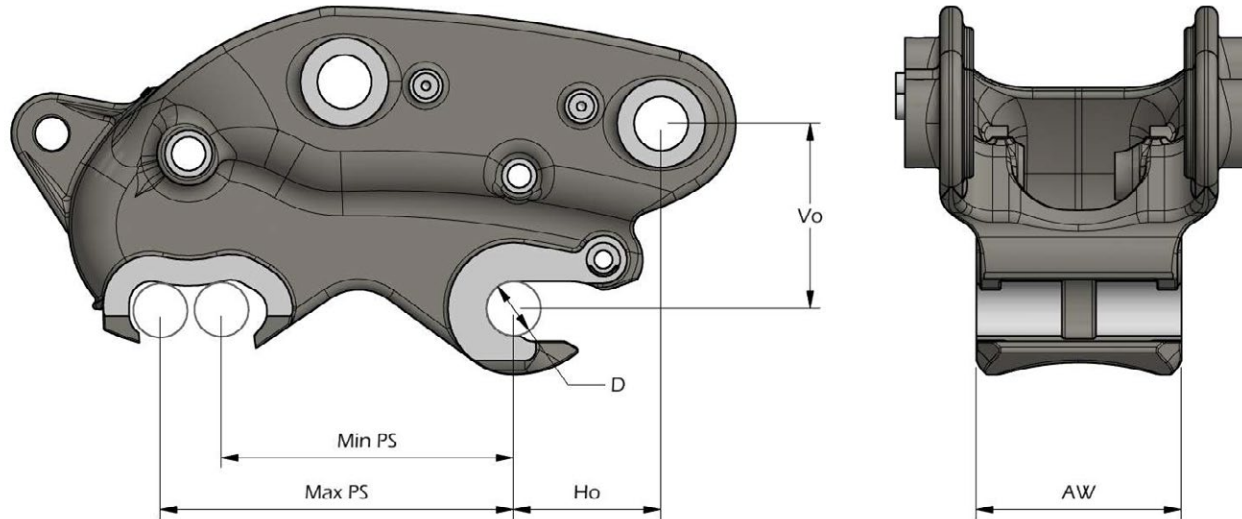
The lightest, lowest, innovative fully cast body shell capable of withstanding all working environments.

Heat treated high-grade steel designed to guarantee its strength and help eliminate weak points to enhance durability in high stress operations.

New low-profile design delivering a shorter pin to point measurement which delivers maximum breakout force for greater productivity and efficiency.

OEM	R3 (8T)	R4 (12T)	R5 (15T)	R6 (20T)	R7 (25T)	R8 (35T)	R9 (45T)
<b>CASE</b>	CX75C SR/CX80C	CX130B/ CX135SR	CX160B/CX180B/ WX165/WX185	CX210B	CX240B/CX290B	9033/CX330/ CX350B	CX460/CX470/ CX500
<b>CAT</b>	307E/308D/ 308ECR	311D/312D/314D	315/C/D	B' Linkage*	C' Linkage* CB' Linkage* D' Linkage*	DB Linkage*	TB Linkage*
<b>DOOSAN</b>		S140/DX140/ DX140W/DX160	DX170W-5	DX180/DX225	DX300	DX340	DX450
<b>HITACHI</b>	ZX75US-5/ ZX85USB-6	ZX130/ZX135	ZX160	ZX180/ZX200/ ZX210/ZX225	ZX240/ZX250/ ZX290	ZX350	ZX450/EX450
<b>HYUNDAI</b>	R80	R130/R140/R145	R160/R170W/R180	R200/R210/R235	R250/R290	R320/R380	R450
<b>JCB</b>		JS130/JS145	JS160	JS190/JS200/ JS210/JS220	JS240	JS290/JS330/ JS360	JS460
<b>JOHN DEERE</b>	75G, 85G	130G/135G	160G	180G/210G/245G	250G/290G/ 300G/345G	350G/380G	470G
<b>KOBELCO</b>	SK75SR-3E/ SK85CS-3E		SK150	SK200/SK210/ SK235		SK350	SK400/SK460
<b>KOMATSU</b>	PC78US-10/ PC88MR-10	PC120/PC138	PC160/PC180	PC210/PC228	PC240/PC290	PC350	PC400/PC450
<b>KUBOTA</b>	KX80-3						
<b>SANY</b>	SY75C/SY80U	SY135C/SY155U		SY215C/SY225C	SY235C/SW265C	SY335C/SY365C	SY500H
<b>VOLVO</b>	ECR88	EC140C/ECR145C	E160C/EC180C/ EW160C/EW180C	EC210C/E220D	EC300D		EC360C/EC380D/ EC460C/EC480D

# MACHINE PICK-UP CHART (Coupler Dimensions)



Legend	R3 (Class 20)	R4 (Class 25)		R5 (Class 35)		R6 (Class 45)		R7 (Class 55)		R8 (Class 70)		R9 (Class 100)		
<b>Coupler Weight</b>		211 lb (96 kg)	407 lb (185 kg)	590 lb (268 kg)	724 lb (329 kg)	964 lb (438 kg)	1285 lb (584 kg)	1624 lb (738 kg)						
<b>Minimum Attachment Width</b>	AW	6.66" (169mm)	8.70" (221mm)	10.91" (277mm)	12.08" (307mm)	12.84" (326mm)	13.59" (345mm)	14.45" (372mm)						
<b>Pin Diameter</b>	D	50mm	60mm	60mm	65mm	70mm	80mm	80mm	80mm	90mm	90mm	100mm	110mm	
<b>Pin Spread Min</b>	Min PS	11.03" (280mm)	11.42" (290mm)	13.59" (345mm)	13.98" (355mm)	14.81" (376mm)	15.40" (391mm)	16.93" (430mm)	17.44" (443mm)	18.04" (458mm)	18.58" (472mm)	19.69" (500mm)	21.10" (536mm)	21.33" (542mm)
<b>Pin Spread Max</b>	Max PS	12.48" (317mm)	12.59" (320mm)	16.33" (415mm)	16.53" (420mm)	18.58" (472mm)	18.77" (477mm)	20.47" (520mm)	20.47" (520mm)	20.66" (525mm)	23.70" (602mm)	23.90" (607mm)	24.80" (630mm)	25.00" (635mm)
<b>Coupler Vertical Offset</b>	Vo	7.48" (190mm)	8.82" (224mm)	10.51" (267mm)	10.71" (272mm)	12.40" (315mm)	13.31" (338mm)	13.19" (335mm)						
<b>Coupler Horizontal Offset</b>	Ho	5.47" (139mm)	8.82" (224mm)	7.48" (190mm)	8.54" (217mm)	9.76" (248mm)	10.35" (263mm)	13.66" (347mm)						
<b>Lift Eye Rating</b>		11,023 lb (5 kg)	28,660 lb (13 kg)	28,660 lb (13 kg)	35,273 lb (13 kg)	44,092 lb (20 kg)	55,115 lb (25 kg)	66,138 lb (30 kg)						