



Features

Increased Capacity

- Improved construction reduces weight up to 10% for larger payloads
- Extra wide widths available for maximum payloads

Enhanced Performance

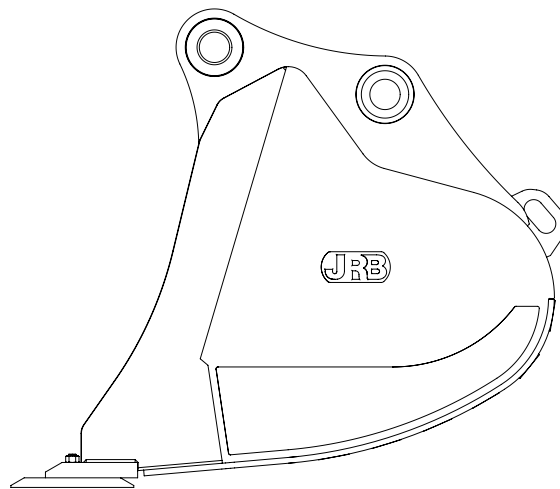
- Optimized profile for better filling & dumping
- Dual taper design provides enhanced heel clearance for less resistance and wear during digging

Enhanced Durability

- One-piece header design improves load distribution and durability
- Strategic placement of AR400 wear material in the cutting edge, side cutter and bottom corner to reduce wear

The **JRB® Clean Up** series of excavator buckets combines innovative design and advanced materials for the ultimate in job site productivity. Use the JRB® Clean Up Bucket for mass excavation in light duty applications or when cleaning up spoil on a job site. The bolt on edge provides additional versatility for grading and smoothing out the surface.





12T

WIDTH (IN)	RATED CAPACITY (YD ³) ISO 7451	STD BOE PCS	WEIGHT (LBS)
54	1.22	3	1,506
60	1.38	3	1,620

1" X 13" Bolt on Edge (BOE) included

15T

WIDTH (IN)	RATED CAPACITY (YD ³) ISO 7451	STD BOE PCS	WEIGHT (LBS)
54	1.40	3	1,756
60	1.58	3	1,887

1" X 13" Bolt on Edge (BOE) included

20T

WIDTH (IN)	RATED CAPACITY (YD ³) ISO 7451	STD BOE PCS	WEIGHT (LBS)
60	1.95	1	2,370
66	2.16	3	2,554

1" X 13" Bolt on Edge (BOE) included

25T

WIDTH (IN)	RATED CAPACITY (YD ³) ISO 7451	STD BOE PCS	WEIGHT (LBS)
66	2.34	1	3,022
72	2.58	1	3,206

1" X 13" Bolt on Edge (BOE) included

35T

WIDTH (IN)	RATED CAPACITY (YD ³) ISO 7451	STD BOE PCS	WEIGHT (LBS)
66	2.87	1	3,751
72	3.17	1	3,981

1.25" X 16" Bolt on Edge (BOE)

45T

WIDTH (IN)	RATED CAPACITY (YD ³) ISO 7451	STD BOE PCS	WEIGHT (LBS)
72	3.69	1	4,886
84	4.40	1	5,429

1.25" X 16" Bolt on Edge (BOE) included