



PALADIN®

HARLEY

www.paladinattachments.com



HYDRAULIC ANGLE



MANUAL ANGLE

M-SERIES POWER RAKES

FOR SKID STEER LOADERS

The Paladin® Rake features a 6-inch polypropylene barrier that can be adjusted to choose the desired size of material to be left on the seedbed. The barrier is rigid enough for pushing while also being flexible enough to allow damaging debris to pass through. The tool also has a proprietary tooth design made of pure carbide that is uniquely shaped to optimize the seedbed's sub-base fracture pattern, as well as to improve moisture retention and release.

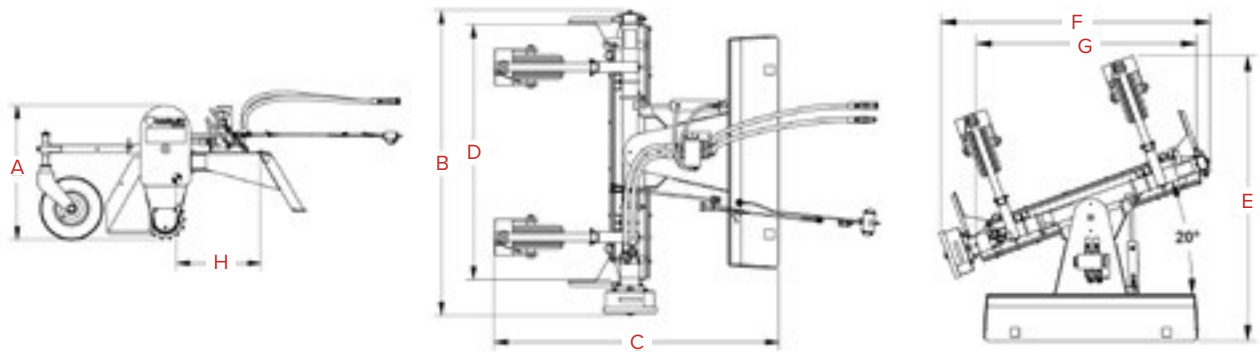
M-SERIES POWER RAKES

FOR SKID STEER LOADERS

FEATURES

- Adjustable barrier above the roller allows you to quickly react to soil moisture conditions
- Bi-directional motor allows the drum to rotate in either direction maximizing flexibility
- Pure carbide proprietary teeth design - specially shaped to ensure the best possible seedbed sub-base fracture pattern and superior moisture retention and release
- The box-end plates are designed for quick and easy removal, allowing for windrowing and reverse box raking without the need for bolts. All you have to do is pull the pins to detach them
- Dual independently adjustable gauge wheels allow or skim passes for over-seeding - or - adjust to cut drainage grades
- Harley comes with a standard toggle hydraulic control box

SPECIFICATIONS



	M4	M5	M6	MX7	MX8
A. OVERALL HEIGHT	26.40 IN. / 671 MM	32.90 IN. / 836 MM	33.20 IN. / 843 MM	33.20 IN. / 843 MM	35.90 IN. / 912 MM
B. OVERALL WIDTH	57.40 IN. / 1458 MM	71.70 IN. / 1821 MM	81.70 IN. / 2075 MM	93.60 IN. / 2377 MM	100.70 IN. / 2558 MM
C. OVERALL LENGTH	51.90 IN. / 1318 MM	61.30 IN. / 1557 MM	61.30 IN. / 1557 MM	61.30 IN. / 1557 MM	72.60 IN. / 1884 MM
D. RAKING WIDTH	48.00 IN. / 1219 MM	62.00 IN. / 1575 MM	72.00 IN. / 1829 MM	84.00 IN. / 2134 MM	90.00 IN. / 2286 MM
E. OVERALL LENGTH @ 20°	55.10 IN. / 1400 MM	67.10 IN. / 1704 MM	68.60 IN. / 1742 MM	70.80 IN. / 1798 MM	82.90 IN. / 2106 MM
F. OVERALL WIDTH @ 20°	56.80 IN. / 1443 MM	68.60 IN. / 1742 MM	78.00 IN. / 1981 MM	89.20 IN. / 2266 MM	96.10 IN. / 2441 MM
G. RAKING WIDTH @ 20°	45.00 IN. / 1143 MM	58.00 IN. / 1473 MM	68.00 IN. / 1727 MM	79.00 IN. / 2007 MM	85.00 IN. / 2159 MM
H. CENTER OF GRAVITY - MANUAL ANGLE	24.90 IN. / 633 MM	22.20 IN. / 564 MM	23.80 IN. / 605 MM	23.80 IN. / 605 MM	27.20 IN. / 691 MM
H. CENTER OF GRAVITY - HYDRAULIC ANGLE	24.40 IN. / 620 MM	22.10 IN. / 561 MM	23.70 IN. / 602 MM	23.50 IN. / 597 MM	26.90 IN. / 683 MM
WEIGHT - MANUAL ANGLE	415 LBS / 188 KG	920 LBS / 417 KG	980 LBS / 445 KG	1030 LBS / 467 KG	1305 LBS / 592 KG
WEIGHT - HYDRAULIC ANGLE	425 LBS / 193 KG	930 LBS / 422 KG	985 LBS / 447 KG	1055 LBS / 479 KG	1325 LBS / 601 KG
MAXIMUM PRESSURE	3000 PSI / 207 BAR	3000 PSI / 207 BAR	3000 PSI / 207 BAR	3000 PSI / 207 BAR	3000 PSI / 207 BAR
HYDRAULIC FLOW	8 - 20 GPM	13 - 20 GPM	13 - 25 GPM	15 - 25 GPM	17 - 40 GPM