



PALADIN®

HARLEY

www.paladinattachments.com



MINI POWER RAKES

FOR COMPACT TOOL CARRIERS

Paladin's D4 Mini Power Box Rake is an advanced version of the classic Harley design, designed to be compatible with most compact tool carriers. This versatile rake offers manual or hydraulic angle adjustment options and is known for delivering the high-level performance that our customers have come to expect when it comes to preparing seed beds, grading soil, and leveling gravel.

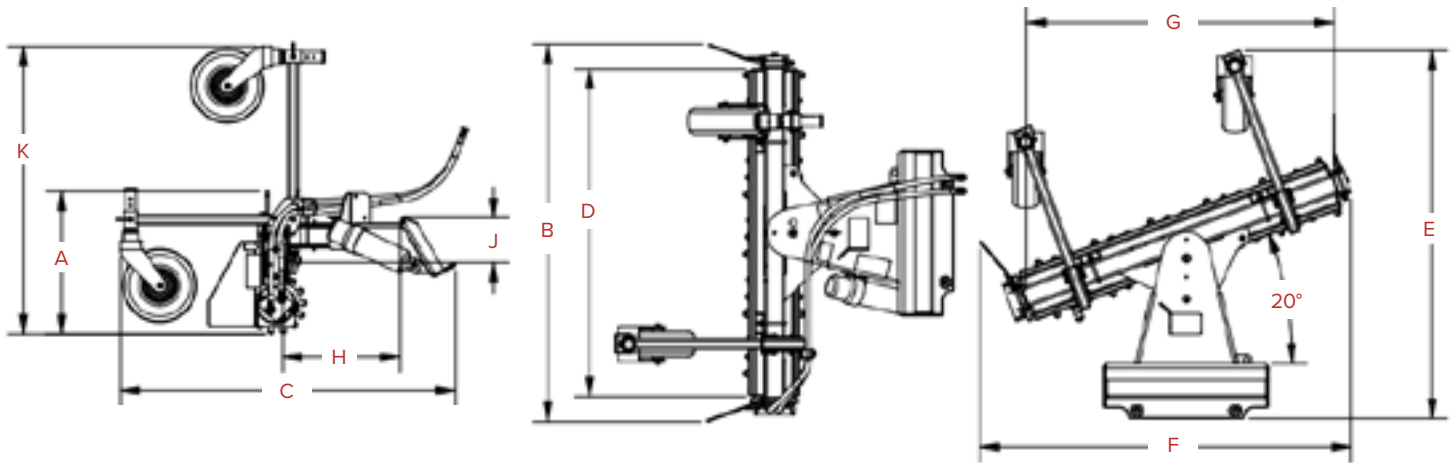
MINI POWER RAKES

FOR COMPACT TOOL CARRIERS

FEATURES

- Direct drive motor is embedded within frame and drum providing optimal protection from dirt and debris.
- Adjustable rubber barrier
- Specially shaped and placed carbide teeth ensure the best possible seedbed
- End plates that can be removed easily and gates that can be adjusted to multiple positions
- Dual independently adjustable gauge wheels

SPECIFICATIONS



	22748M-0961	22748H-0961
STYLE	Manual Angle	Hydraulic Angle
A. OVERALL HEIGHT	20.8 IN.	20.8 IN.
B. OVERALL WIDTH	55.4 IN.	55.4 IN.
C. OVERALL LENGTH	49.1 IN.	49.1 IN.
D. RAKING WIDTH	48 IN.	48 IN.
F. OVERALL WIDTH @ 20°	54.5 IN.	54.5 IN.
E. OVERALL LENGTH @ 20°	54.1 IN.	54.1 IN.
G. RAKING WIDTH @ 20°	45.2 IN.	45.2 IN.
H. CENTER OF GRAVITY - HORIZONTAL	17.2 IN.	17.2 IN.
J. CENTER OF GRAVITY - VERTICAL	6.5 IN.	6.5 IN.
K. OVERALL HEIGHT - CASTER UP	42.1 IN.	42.1 IN.
WEIGHT	365 LBS	380 LBS
REQUIRED FLOW	8-15 GPM	8-15 GPM
MAXIMUM PRESSURE	3000 PSI	3000 PSI