



Features

- Carries and places concrete with a skid-steer loader where cement trucks can't go
- Quick and clean, accurate placement of concrete with no mess
- Ideal for pouring deck footings and formed columns or walls
- Hydraulically controlled dispensing door with tight fitting seal
- No spill top edge for easy clean-up
- Available in ½" or ¾" yard

FFC® Concrete Chuter is engineered to give more control, fit in tight spaces where cement trucks can't, and accurately place concrete where it needs to go. Never wheelbarrow or pump concrete again!

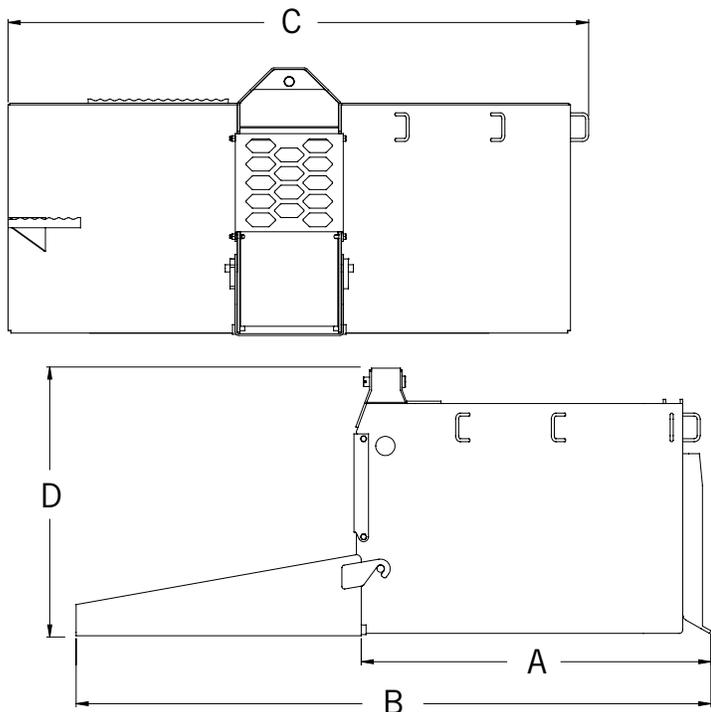


SPECIFICATIONS	1/2 YARD	3/4 YARD
Model	11050	11075
Weight (lbs)	450	520
A. Length without Chute A	36"	39"
B. Length with Chute A	65"	68"
C. Width	58"	58"
D. Height	28"	31"
Lift Capacity Requirements (lbs)	700	3200
Hydraulic Requirements	2 Way Aux	2 Way Aux

Additional Features

- Ruggedly built dispensing door with a tight-fitting seal for accurate multiple placements (shown without shields)
- Patented safety door is completely inaccessible to co-workers to prevent accidental injury to those assisting, spreading and troweling the concrete
- No spill top edge, squared off corners and powder coat finish make for an easy-to-clean chuter

1/2 yard Concrete Chuter - Model 11050



3/4 yard Concrete Chuter - Model 11075

