



# PALADIN®

FFC

[www.paladinattachments.com](http://www.paladinattachments.com)



## HIGH FLOW ASPHALT MILLS

### FOR SKID STEER LOADERS

The Paladin® Cold Planer is a versatile tool that can be utilized for a multitude of tasks, including cutting utility trenches to full depth, smoothing out frost heaves around manholes, improving pavement drainage, creating textured surfaces for better skid resistance, and much more.

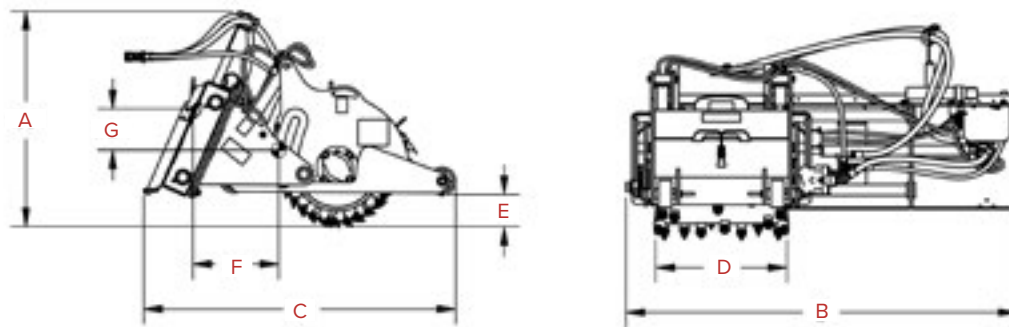
# HIGH FLOW ASPHALT MILLS

FOR SKID STEER LOADERS

## FEATURES

- The tool is capable of scarifying concrete and planing sidewalks and street joints
- The tool can shift 24 inches to the left or right, enabling it to cut alongside curbs and other obstacles
- Solid drum pushes milled material to the back, preventing remilling
- V style pic pattern for efficient milling
- Optimized bit pattern provides a faster cut by maximizing the horsepower per bit
- In-cab fingertip controls operate sideshift, tilt, and cutting depth on high-flow models
- Models with high-flow capabilities are equipped with planetary gearbox drive, which enhances torque and durability

## SPECIFICATIONS



	16"	18"	20"	24"	30"	36"
<b>A. OVERALL HEIGHT</b>	38.80 IN.	38.80 IN.	38.80 IN.	38.80 IN.	38.80 IN.	38.80 IN.
<b>B. OVERALL WIDTH</b>	72.50 IN.	72.50 IN.	72.50 IN.	72.50 IN.	77.50 IN.	77.50 IN.
<b>C. OVERALL LENGTH</b>	57.60 IN.	57.60 IN.	57.60 IN.	57.60 IN.	57.60 IN.	57.60 IN.
<b>D. CUTTING WIDTH</b>	16.00 IN.	18.00 IN.	20.00 IN.	24.00 IN.	30.00 IN.	36.00 IN.
<b>E. MAX CUTTING DEPTH</b>	6.00 IN.	6.00 IN.	6.00 IN.	6.00 IN.	6.00 IN.	6.00 IN.
<b>F. CENTER OF GRAVITY - HORIZONTAL</b>	15.30 IN.	15.50 IN.	15.70 IN.	16.00 IN.	16.30 IN.	16.70 IN.
<b>G. CENTER OF GRAVITY - VERTICAL</b>	7.30 IN.	7.30 IN.	7.30 IN.	7.40 IN.	7.50 IN.	7.60 IN.
<b>TILT ANGLE</b>	15°	15°	15°	15°	12.5°	10°
<b>SIDE SHIFT</b>	24.00 IN.	24.00 IN.	24.00 IN.	24.00 IN.	24.00 IN.	24.00 IN.
<b>WEIGHT</b>	1510 LBS	1560 LBS	1610 LBS	1690 LBS	1855 LBS	2015 LBS
<b>HYDRAULIC FLOW RANGE</b>	24 - 45 GPM	26 - 45 GPM	26 - 45 GPM	26 - 45 GPM	26 - 45 GPM	31 - 45 GPM
<b>HYDRAULIC PRESSURE - CONTINUOUS</b>	2200 PSI	2200 PSI	2200 PSI	2200 PSI	2200 PSI	2200 PSI
<b>HYDRAULIC PRESSURE - INTERMITTENT</b>	5000 PSI	5000 PSI	5000 PSI	5000 PSI	5000 PSI	5000 PSI