



**PALADIN**  
JRB

# EXCAVATOR THUMBS

## Selection, Innovation, Performance

Your One-Stop Shop  
for Hydraulic Tools  
and Attachments





# FEATURES & BENEFITS

## **Increases Excavator Productivity**

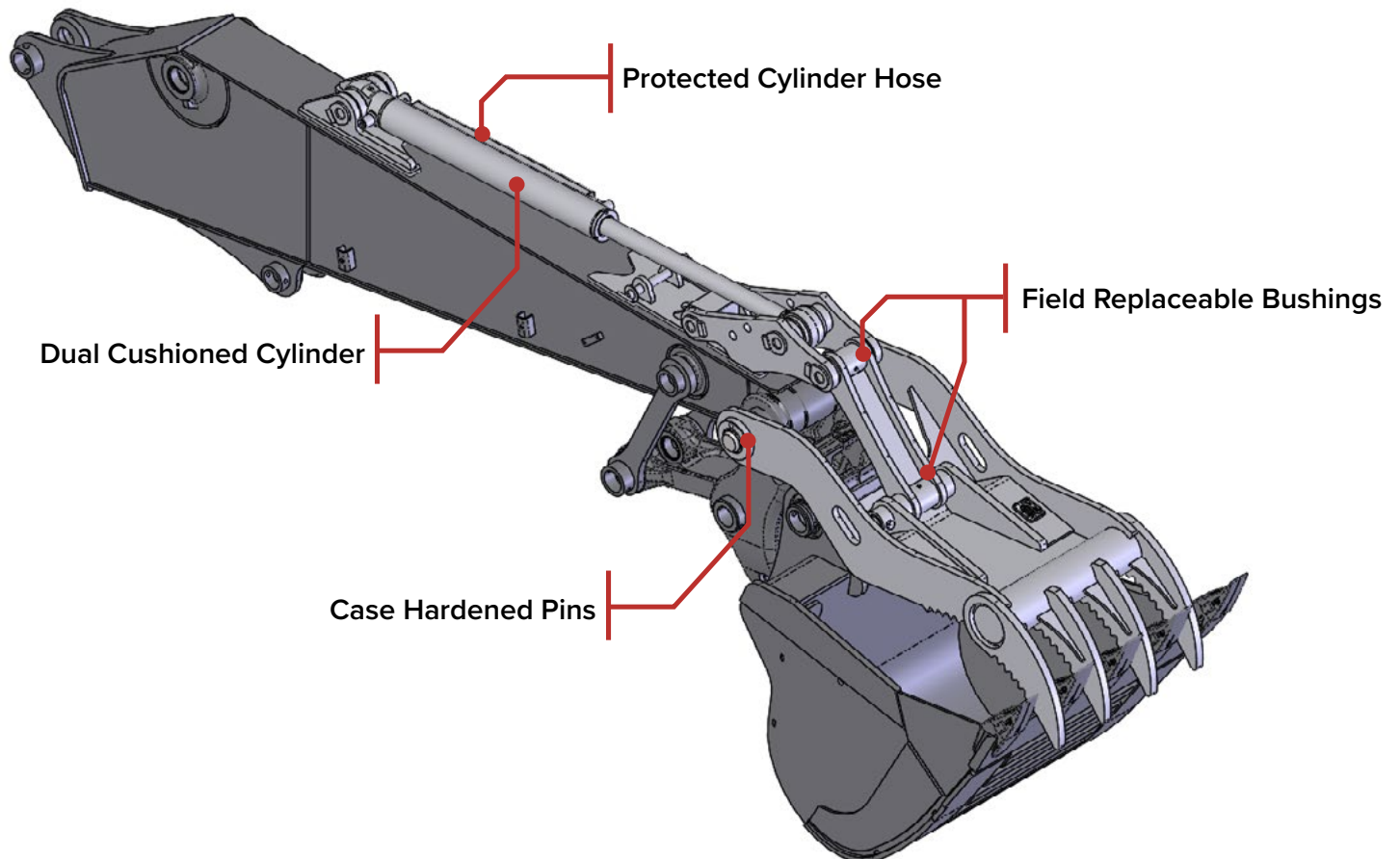
JRB's range of excavator thumbs provides the versatility needed to get the most out of your excavator. Pick up and move more material.

## **Built to Last**

The thumb's rugged design combined with easily maintained parts provide a product that will provide years of productive service.

## **Easy to Install**

With preassembled components and minimal welding, JRB® thumbs can be put to work quickly and for less cost. Paladin also offers installation services through its CustomWorks® facilities, so excavators can arrive at your site ready to work.



## PROGRESSIVE LINK



- Lightweight design provides peak machine stability and allows for more payload and lower fuel consumption
- Progressive linkage allows for added rotation over that of a Main Pin Hydraulic Thumb

2T

3T

5T

8T

12T

15T

20T

25T

27T

35T

45T

## MAIN PIN



- Minimal welding for quick install and less stress on critical boom structures
- Field replaceable components make it easy to replace common wear items onsite with minimal downtime

2T

3T

5T

8T

12T

15T

20T

25T

27T

35T

45T

## WELD ON



- Low-profile thumb storage provides improved visibility
- Hydraulic action offers versatile thumb positioning
- Stiff-Arm Mechanical versions also available

2T

3T

5T

8T

12T

15T

20T

25T

27T

35T

45T



**SELECTION.  
INNOVATION.  
PERFORMANCE.**

