



A high performance quick coupler based on an absolute flexibility and uncompromising utility.

The DuraLatch™ has been designed from the inside out. It's an excavator tool built to remove hindrances, so you can do your greatest work.

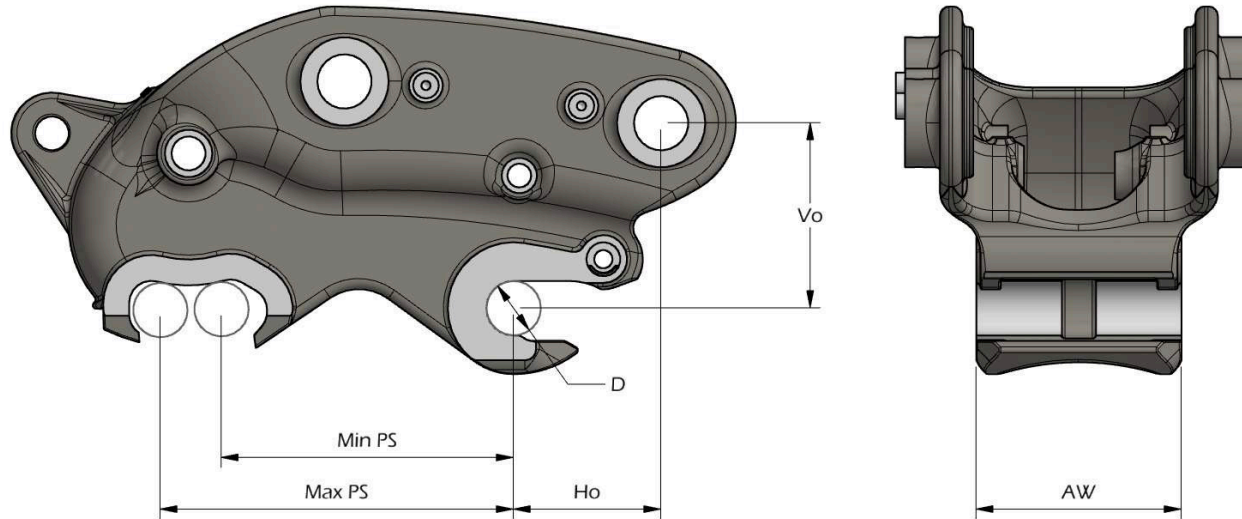
The lightest, lowest, innovative fully cast body shell capable of withstanding all working environments.

Heat treated high-grade steel designed to guarantee its strength and help eliminate weak points to enhance durability in high stress operations.

New low-profile design delivering a shorter pin to point measurement which delivers maximum breakout force for greater productivity and efficiency.

OEM	R3 (8T)	R4 (12T)	R5 (15T)	R6 (20T)	R7 (25T)	R8 (35T)	R9 (45T)
CASE	CX75C SR/CX80C	CX130B/ CX135SR	CX160B/CX180B/ WX165/WX185	CX210B	CX240B/CX290B	9033/CX330/ CX350B	CX460/CX470/ CX500
CAT	307E/308D/ 308ECR	311D/312D/314D	315/C/D	B' Linkage*	C' Linkage* CB' Linkage*	D' Linkage*	TB Linkage*
DOOSAN		S140/DX140/ DX140W/DX160	DX170W-5	DX180/DX225	DX300	DX340	DX450
HITACHI	ZX75US-5/ ZX85USB-6	ZX130/ZX135	ZX160	ZX180/ZX200/ ZX210/ZX225	ZX240/ZX250/ ZX290	ZX350	ZX450/EX450
HYUNDAI	R80	R130/R140/R145	R160/R170W/R180	R200/R210/R235	R250/R290	R320/R380	R450
JCB		JS130/JS145	JS160	JS190/JS200/ JS210/JS220	JS240	JS290/JS330/ JS360	JS460
JOHN DEERE	75G, 85G	130G/135G	160G	180G/210G/245G	250G/290G/ 300G/345G	350G/380G	470G
KOBELCO	SK75SR-3E/ SK85CS-3E		SK150	SK200/SK210/ SK235		SK350	SK400/SK460
KOMATSU	PC78US-10/ PC88MR-10	PC120/PC138	PC160/PC180	PC210/PC228	PC240/PC290	PC350	PC400/PC450
KUBOTA	KX80-3						
SANY	SY75C/SY80U	SY135C/SY155U		SY215C/SY225C	SY235C/SW265C	SY335C/SY365C	SY500H
VOLVO	ECR88	EC140C/ECR145C	E160C/EC180C/ EW160C/EW180C	EC210C/E220D	EC300D		EC360C/EC380D/ EC460C/EC480D

MACHINE PICK-UP CHART (Coupler Dimensions)



Legend	R3 (Class 20)	R4 (Class 25)		R5 (Class 35)		R6 (Class 45)	R7 (Class 55)		R8 (Class 70)		R9 (Class 100)			
Coupler Weight		211 lb (96 kg)	407 lb (185 kg)	590 lb (268 kg)	724 lb (329 kg)	964 lb (438 kg)	1285 lb (584 kg)	1624 lb (738 kg)						
Minimum Attachment Width	AW	6.66" (169mm)	8.70" (221mm)	10.91" (277mm)	12.08" (307mm)	12.84" (326mm)	13.59" (345mm)	14.45" (372mm)						
Pin Diameter	D	50mm	60mm	60mm	65mm	70mm	80mm	80mm	90mm	90mm	100mm	100mm	110mm	
Pin Spread Min	Min PS	11.03" (280mm)	11.42" (290mm)	13.59" (345mm)	13.98" (355mm)	14.81" (376mm)	15.40" (391mm)	16.93" (430mm)	17.44" (443mm)	18.04" (458mm)	18.58" (472mm)	19.69" (500mm)	21.10" (536mm)	21.33" (542mm)
Pin Spread Max	Max PS	12.48" (317mm)	12.59" (320mm)	16.33" (415mm)	16.53" (420mm)	18.58" (472mm)	18.77" (477mm)	20.47" (520mm)	20.47" (520mm)	20.66" (525mm)	23.70" (602mm)	23.90" (607mm)	24.80" (630mm)	25.00" (635mm)
Coupler Vertical Offset	Vo	7.48" (190mm)	8.82" (224mm)	10.51" (267mm)	10.71" (272mm)	12.40" (315mm)	13.31" (338mm)	13.19" (335mm)						
Coupler Horizontal Offset	Ho	5.47" (139mm)	8.82" (224mm)	7.48" (190mm)	8.54" (217mm)	9.76" (248mm)	10.35" (263mm)	13.66" (347mm)						
Lift Eye Rating		11,023 lb (5 kg)	28,660 lb (13 kg)	28,660 lb (13 kg)	35,273 lb (13 kg)	44,092 lb (20 kg)	55,115 lb (25 kg)	66,138 lb (30 kg)						