



CABLE REELERS

Selection,
Innovation,
Performance

Your One-Stop Shop
for Hydraulic Tools
and Attachments



CABLE REELER SYSTEMS

WHEEL LOADER CABLE REELERS



CWS® Cable Reeling Systems are revolutionizing the handling of electrical cable. A Heavy-Duty Cable Payout/Retrieval System for Open Pit & Underground Operations. Ruggedly Constructed and Designed for Ease of Maintenance & Simple Operation.

SAVE TIME AND MONEY

- Improved efficiency - pick up and lay down cable faster
- Reduced downtime - keep your machines drilling and loading more
- Reduced equipment damage - Cable and coupler damage
- Reduced labor costs:
 - Potentially fewer support people required
 - Faster completion/operation of procedures
- Reduced handling costs
- Reduced cable repair/maintenance costs

SAFER WORKING ENVIRONMENT

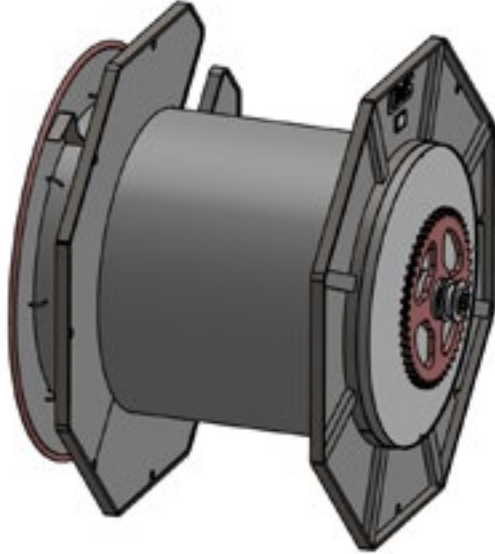
- Reduced injuries
- Less ground crew working around moving machines reduces risk of incidents
- Hexagonal sided drums are chosen to insure that drums cannot roll when stored

MOUNTING OPTIONS

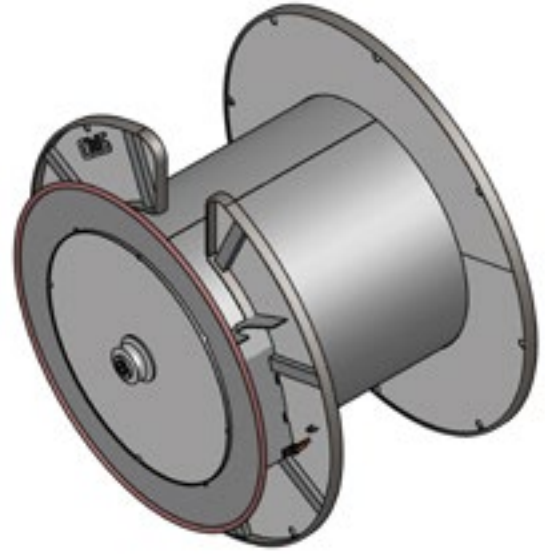
- Pin-on or QC Connect



OCTAGONAL STYLE



ROUND STYLE

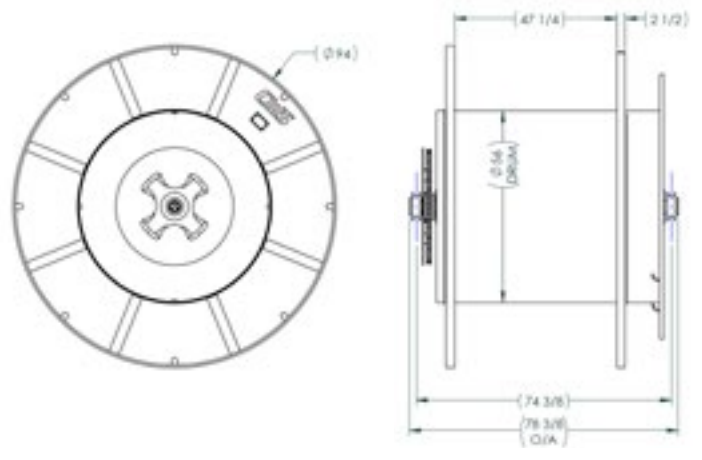
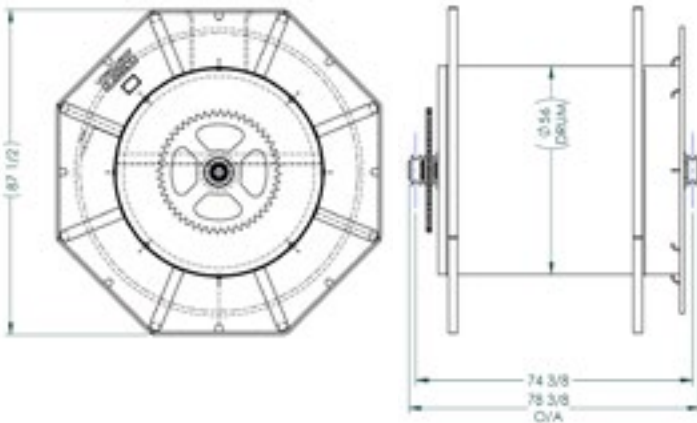


OCTAGONAL SPECIFICATIONS

C/W PLUG (COUPLER) STORAGE AREA	56" I.D.* / 93.94" O.D.
OVERALL WIDTH	78.375"
2.75" O.D CABLE CARRYING CAPACITY	1193 FT
3.00" O.D CABLE CARRYING CAPACITY	1139 FT
3.25" O.D CABLE CARRYING CAPACITY	772 FT
3.50" O.D CABLE CARRYING CAPACITY	679 FT

ROUND SPECIFICATIONS

C/W PLUG (COUPLER) STORAGE AREA	56" I.D.* / 94" O.D.
OVERALL WIDTH	78.375"
2.75" O.D CABLE CARRYING CAPACITY	1552 FT
3.00" O.D CABLE CARRYING CAPACITY	1487 FT
3.25" O.D CABLE CARRYING CAPACITY	1011 FT
3.50" O.D CABLE CARRYING CAPACITY	953 FT
3.75" O.D CABLE CARRYING CAPACITY	892 FT



**SELECTION.
INNOVATION.
PERFORMANCE.**

