



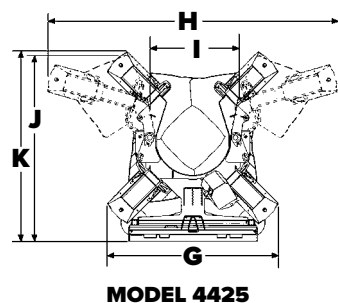
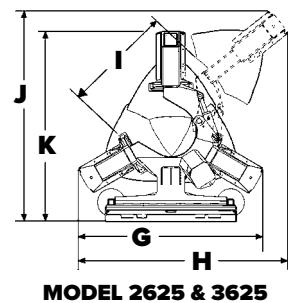
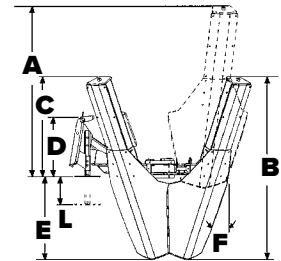
Features

- 15 Series Tree Spades provide a unique, optimized root ball to retain more of the root system
- 25 Series Tree Spades provide an uncompromised digging angle between truncated and cone style to adapt to various conditions
- The 30 Series Tree Spades have a 30° cone style that is ideal for working in sandy or hard packed soil
- Standard electric control joystick to function the hydraulic drive
- Overlapping blades to clean cut roots
- Adjustable blade legs slide to control ball depth
- Wide gate opening to easily engage tree

Bradco® Tree Spades by Paladin® are ideal for transplanting small trees and shrubs. A variety of styles allow you to work in all soil types.

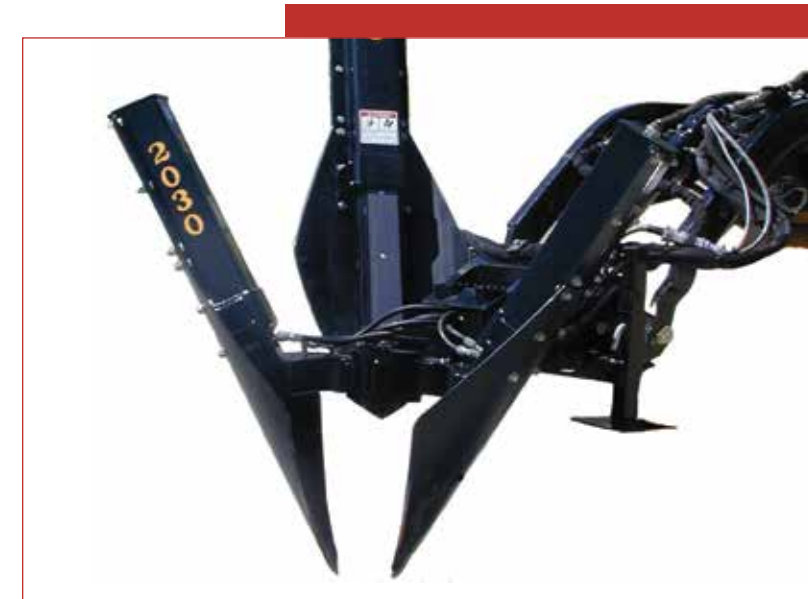


- Provides an uncompromised digging angle between truncated and cone style to adapt to various soil conditions
- 25° angle and deep stroke of the blades produces several uniform ball sizes with one set of blades
- Pointed high tensile, abrasion resistant blades
- Blade towers incorporate high density plastic slides that are self lubricating
- Industry standard wire baskets for balled and burlap tree harvesting



SPECIFICATIONS	2625	3625	4425
A. Overall Height - blades up (open)	48"	64.5"	64.5"
B. Overall Height - blades down (closed)	52"	69"	69"
C. Shipping Height - blades removed	32"	38"	38"
D. Frame Height	22.5"	22.5"	22.5"
E. Digging Depth	22"	31"	31"
F. Cutting Angle	25°	25°	25°
G. Overall Transport Width (gate closed)	56"	66"	63"
H. Overall Width (gate open)	76"	88.5"	107"
I. Maximum Gate Opening	30"	40"	33"
J. Overall Length (gate open)	52"	75"	68"
K. Overall Transport Length (gate closed)	60"	68"	69.5"
Number of Blades	3	3	4
Ball Diameters Available	18" - 26"	24" - 36"	32" - 44"
Tree Diameter (trunk caliper)	1.5" - 2.5"	2" - 3.5"	3" - 4.5"
Ball Weight (lbs)	150 - 350	250 - 1000	1200 - 1500
Flow Requirement (GPM)	10	10	10
Minimum Operating Pressure	2250	2250	2250
Weight (with blades) lbs	1150	1550	1875

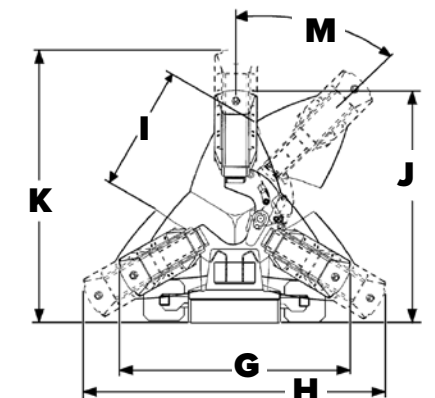
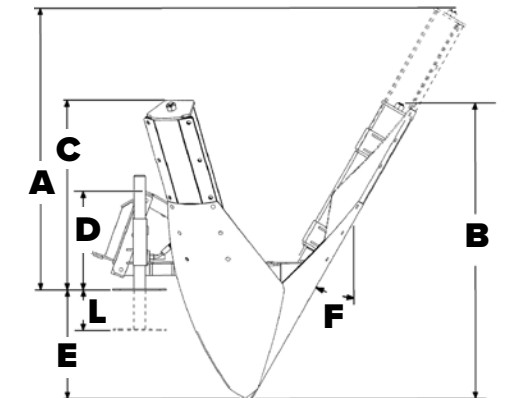
Rear Stabilizers required - specify loader model



- Ideal for transplanting and burlapping small trees and shrubs in sandy or hard packed soil
- Low profile blade towers allow tree spade to fit between closely planted trees
- Adjustable legs to set digging depth
- High tensile, abrasion resistant blades close to a point in the down position to clean cut tap roots
- Electric over hydraulic control with hand held joystick to operate the spade and rear stabilizers and an optional cord extension for the joystick control

SPECIFICATIONS	2030
A. Overall Height - blades up (open)	42.25"
B. Overall Height - blades down (closed)	44.51"
C. Shipping Height - blades removed	37"
D. Frame Height	14.75"
E. Digging Depth	16.13"
F. Cutting Angle	30°
G. Overall Transport Width (gate closed)	45.5"
H. Overall Width (gate open)	59.5"
I. Maximum Gate Opening	26"
J. Overall Length (gate open)	49"
K. Overall Transport Length (gate closed)	53.5"
L. Maximum Leg Adjustment	6"
M. Gate Swing	45°
Number of Blades	3
Ball Diameters Available	16" - 20"
Tree Diameter (trunk caliper)	1" - 1.5"
Ball Weight (lbs)	80 - 120
Flow Requirements (GPM)	6
Minimum Operating Pressure	2000
Weight (with blades) lbs	525

Rear stabilizers required - specify loader model





COMPLETE SOLUTIONS AND SERVICE FOR HEAVY AND COMPACT EQUIPMENT

STANLEY
Infrastructure

6430 SE Lake Rd.
Portland, OR 97222
Tel. 833.723.1843
Fax 503.652.1780

www.stanleyinfrastructure.com
1120

