



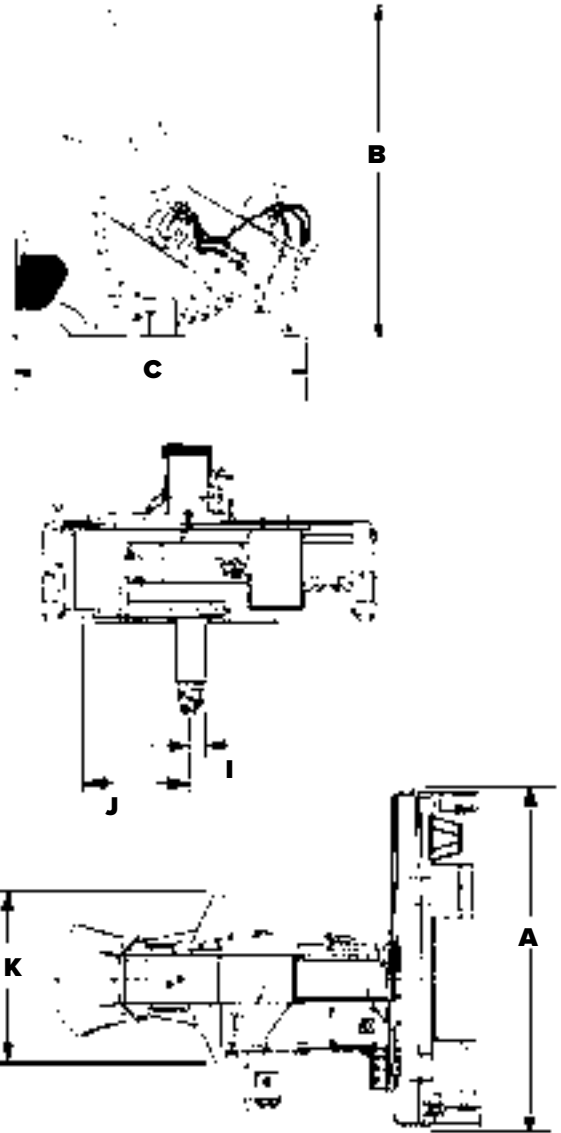
Features

- Needle valve flow control adjustment allows precise control of skid shoe height allowing digging depth to be adjusted “on the go”
- Abrasion resistant plate steel allows longer life
- Open front of saw allows efficient ejection of debris
- Forward movement allows operator to see what they are doing
- 2½” or 4” wide cut available
- Standard general purpose picks, optional concrete picks

The **Bradco® Rock Saw** by Paladin is equipped with sideshift and height adjustment features that are electrically controlled from the operator’s seat.



| SPECIFICATIONS | RS18 | RS24 |
|-------------------------------------------------|--------------|--------------|
| A. Width (overall) | 67" | 67" |
| B. Height (transport)(overall) | 79" | 81" |
| C. Length (transport)(overall) | 76" | 86" |
| D. Cutting Depth (maximum) | 18" | 24" |
| E. Operating Height (guide arm down) | 40" | 44" |
| F. Operating Height (guide arm up) | 50" | 58" |
| G. Operating Length (guide arm down) | 119" | 132" |
| H. Operating Length (guide arm down) | 77" | 89" |
| I. Side Shift (center to left) | 2.72" | 2.72" |
| J. Side Shift (center to right) | 24" | 24" |
| K. Spoil Removal Path | 34" | 34" |
| Wheel Diameter | 48" | 60" |
| Number of Picks | 42 | 56 |
| Hydraulic Flow Requirement (GPM) | 22 to 44 | 30 to 44 |
| Operating Pressure (PSI) | 2500 to 3000 | 2500 to 3000 |
| Weight (without picks)(lbs) | 1775 | 2095 |
| Operating Weight (with 2.5" cutting width)(lbs) | 1995 | 2385 |
| Operating Weight (with 4" cutting width)(lbs) | 2020 | 2420 |



Additional Features

- Standard electro-hydraulic controls, depth controls, and side-shift
- Steel planetary drive delivers high torque
- Protective shields for hydraulic & electrical components
- Solid hardened steel wheels with greasable manifold pins and secluded greased zerks

