



# PALADIN<sup>®</sup>

BRADCO

[www.paladinattachments.com](http://www.paladinattachments.com)



## MINI SCRAP GRAPPLES

### FOR COMPACT TOOL CARRIERS

The Paladin™ Mini Scrap Grapple with solid floor is designed for use on CTC loaders and is available in 36", 42", 48", and 54" widths. The solid floor and grapple make it the ideal mini skid steer tool for scrap and yard waste removal, ground leveling, and construction sites, especially in tight areas.

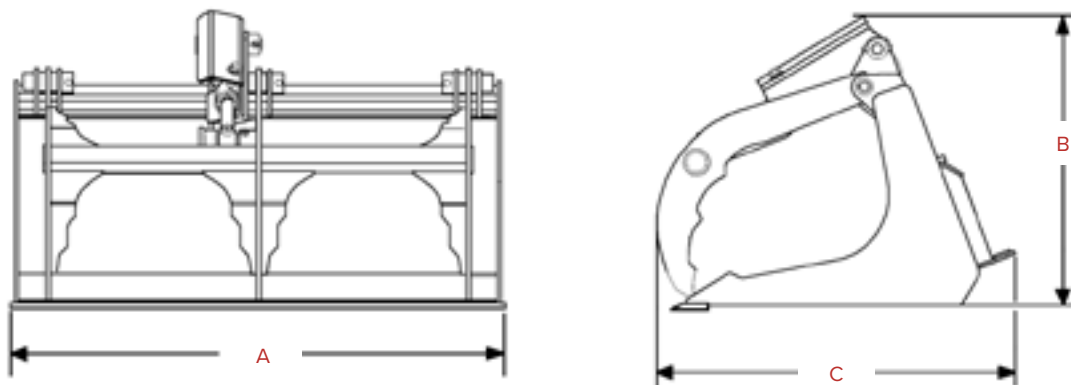
# MINI SCRAP GRAPPLES

FOR COMPACT TOOL CARRIERS

## FEATURES

- 36", 42", 48 & 54" widths on select models
- Hydraulic grapple with guarded cylinder
- Optional Bolt-on cutter bar assembly
- 1,500 to 3,000 operating pressure (psi)
- High strength Grade 50 steel throughout
- Premium High Carbon beveled front cutting edge

## SPECIFICATIONS



	107147	235913	235907	235870
WIDTH	36 IN.	42 IN.	48 IN.	54 IN.
OVERALL HEIGHT	25 IN.	25 IN.	25 IN.	25 IN.
OVERALL LENGTH	31 IN.	31 IN.	31 IN.	31 IN.
GRAPPLE OPENING	29 IN.	29 IN.	29 IN.	29 IN.
WEIGHT	281 LBS	300 LBS	329 LBS	349 LBS
RATED OPERATING CAPACITY	2500 LBS	2500 LBS	2500 LBS	2500 LBS
MOUNT	CII	CII	CII	CII

	235877	235916	235894	235883	235882	235871
WIDTH	36 IN.	42 IN.	48 IN.	54 IN.	48 IN.	54 IN.
OVERALL HEIGHT	25 IN.	25 IN.	25 IN.	25 IN.	25 IN.	25 IN.
OVERALL LENGTH	31 IN.	31 IN.	31 IN.	31 IN.	31 IN.	31 IN.
GRAPPLE OPENING	29 IN.	29 IN.	29 IN.	29 IN.	29 IN.	29 IN.
WEIGHT	316 LBS	340 LBS	368 LBS	388 LBS	366 LBS	385 LBS
RATED OPERATING CAPACITY	2500 LBS	2500 LBS	2500 LBS	2500 LBS	2500 LBS	2500 LBS
MOUNT	Bobcat	Bobcat	Bobcat	Bobcat	SSL	SSL

CONSUMABLES	36"	42"	48"	54"
BOLT ON EDGE	107156	107157	107158	233268



2800 N. Zeeb Road // Dexter, MI 48130 // 833-723-1843 // [www.paladinattachments.com](http://www.paladinattachments.com)