



**PALADIN**<sup>®</sup>  
BRADCO

# HIGH DUMP BUCKET

# Selection, Innovation, Performance

Your One-Stop Shop  
for Hydraulic Tools  
and Attachments



# BRADCO® HIGH-DUMP BUCKET



The **Bradco® High-Dump** line of buckets allow users to increase the dumping height of their machine by 74 inches and load material into trucks, feed bins and reach other landing heights previously not obtainable with a standard bucket. This light material high-dump bucket exceeds all competitive units by offering increased capacities, cushioned hydraulics, 114° of roll out and the most robust design in the industry. These features translate to higher productivity and faster cycle times.

## High Dump Bucket Features

- Robust industry leading design
- Increases dump height by 74" compared to standard buckets
- Dual cushion cylinders for smooth operation and rapid cycle times
- 1.5" diameter pivot pins from high-strength material



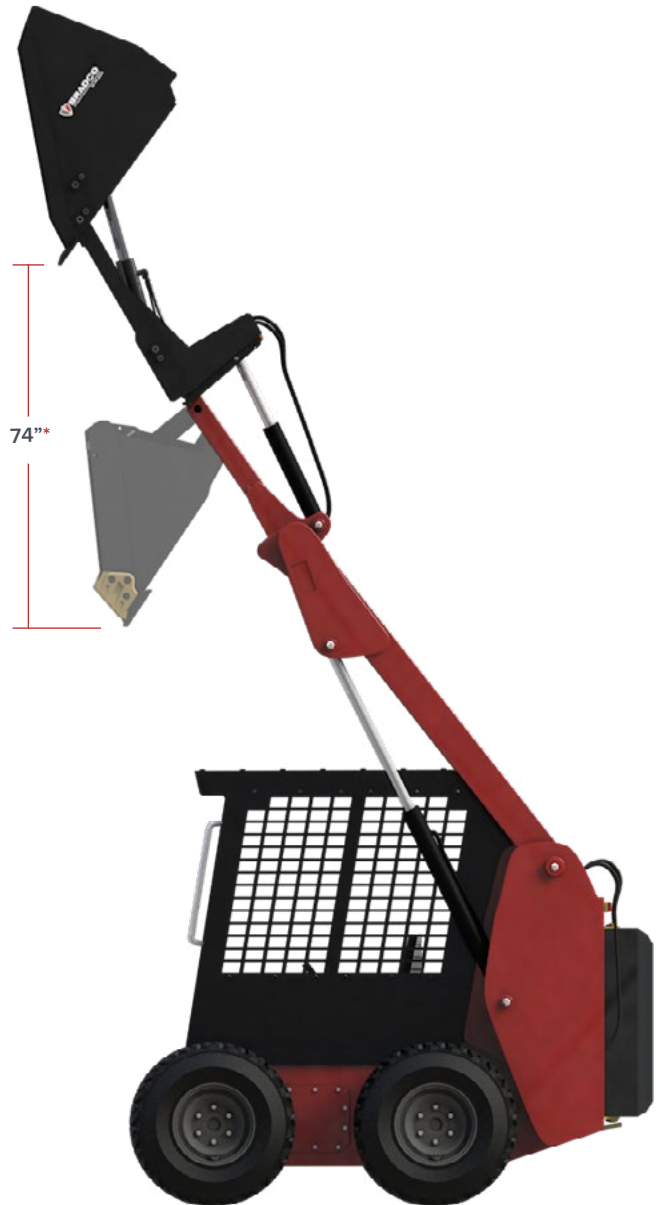
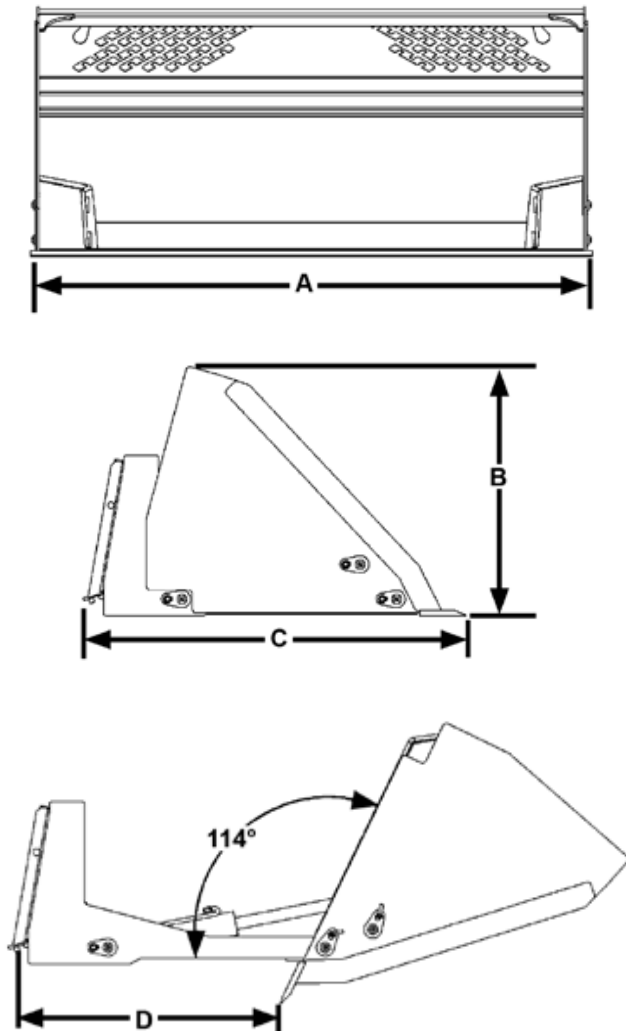
# SPECIFICATIONS

	60"	72"	84"	96"
Part Number	122651	122619	122657	122660
Weight (lbs)	1,000	1,145	1,250	1,350
Capacity (cu/yd)	1.00	1.19	1.44	1.68
A. Width (in)	60.75	73	84.75	97.5
B. Height (in)	32.38	32.38	32.38	32.38
C. Depth (in)	49.85	49.85	49.85	49.85
D. Rotation (deg)	114°	114°	114°	114°
Pin Size (in)	1.25	1.25	1.25	1.25
Cylinder Boar (in)	2.5	2.5	2.5	2.5
Cylinder Rod Diameter (in)	1.5	1.5	1.5	1.5

## Optional Accessories

### BOLT ON EDGES:

- 60": Part No. 15025, 7 HOLES X 9.00 SPACING
- 72": Part No. 15028, 7 HOLES X 11.00 SPACING
- 84": Part No. 16183, 9 HOLES X 9.75 SPACING
- 96": Part No. FFC10084, 16 HOLES X 6.00 SPACING



\*Actual height advantage may vary depending on dimensions of standard bucket and make/model of prime mover.

**SELECTION.  
INNOVATION.  
PERFORMANCE.**

