



# PALADIN®

BRADCO

[www.paladinattachments.com](http://www.paladinattachments.com)



## COLD PLANERS

### FOR SKID STEER LOADERS

Paladin's™ cold planer is a highly effective tool for small milling jobs, as well as repairing asphalt and concrete potholes and frost heaves, cutting curbs, texturing pavement, and removing lane stripes and roadway around manholes.

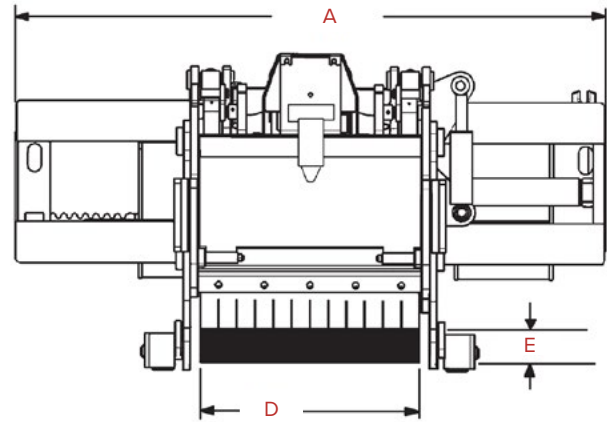
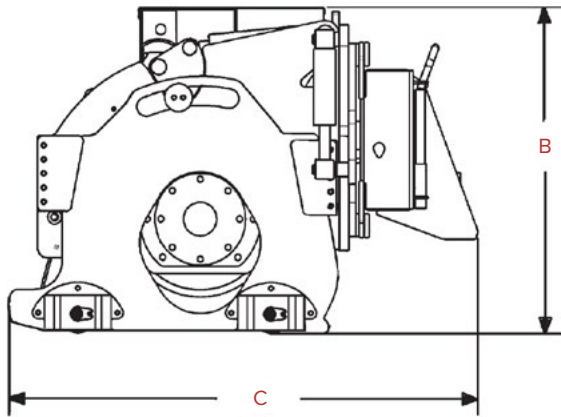
# COLD PLANERS

## FOR SKID STEER LOADERS

### FEATURES

- Independent self-leveling depth adjustment plates
- Planetary drive delivers high torque
- High rear spoil clearance to prevent recirculation of material
- Protective shields for hydraulic & electrical components
- Fully adjustable with electro-hydraulic controls
- The option for manual depth and tilt is exclusively available on the standard flow Cold Planer
- Convenient for milling frost heaves, expansion joints, railroad approaches, etc.
- Water nozzle kit standard with intergral nozzle pots

### SPECIFICATIONS



	SP300	HP400	HP450	HP600	HP750	HP1000
<b>A. OVERALL WIDTH</b>	51.94 IN. / 1295 MM	64.94 IN. / 1649 MM	64.94 IN. / 1649 MM	64.94 IN. / 1649 MM	64.94 IN. / 1649 MM	64.94 IN. / 1649 MM
<b>B. OVERALL HEIGHT</b>	32.15 IN. / 817 MM	34.57 IN. / 878 MM	34.57 IN. / 878 MM	34.57 IN. / 878 MM	34.57 IN. / 878 MM	34.57 IN. / 878 MM
<b>C. OVERALL LENGTH</b>	43.86 IN. / 1114 MM	50.30 IN. / 1278 MM	50.30 IN. / 1278 MM	50.30 IN. / 1278 MM	50.30 IN. / 1278 MM	50.30 IN. / 1278 MM
<b>D. PLANING WIDTH</b>	12 IN. / 305 MM	16 IN. / 406 MM	18 IN. / 457 MM	24 IN. / 610 MM	30 IN. / 762 MM	40 IN. / 1016 MM
<b>E. PLANING DEPTH</b>	0 - 5 IN. / 0 - 127 MM	0 - 5 IN. / 0 - 127 MM	0 - 5 IN. / 0 - 127 MM	0 - 5 IN. / 0 - 127 MM	0 - 5 IN. / 0 - 127 MM	0 - 5 IN. / 0 - 127 MM
<b>DRUM DIAMETER</b>	19 IN. / 483 MM	22 IN. / 559 MM	22 IN. / 559 MM	22 IN. / 559 MM	22 IN. / 559 MM	22 IN. / 559 MM
<b>NUMBER OF PICKS</b>	37	43	45	57	69	89
<b>WEIGHT</b>	1500 LBS / 680 KG	2150 LBS / 975 KG	2200 LBS / 998 KG	2400 LBS / 1087 KG	2600 LBS / 1179 KG	3100 LBS / 1406 KG
<b>FLOW REQUIREMENT</b>	15 - 22 GPM	22 - 40 GPM	22 - 40 GPM	22 - 40 GPM	22 - 40 GPM	22 - 40 GPM