



PALADIN®

BRADCO

www.paladinattachments.com



GROUND SHARK®

HEAVY & EXTREME DUTY BRUSH CUTTERS FOR SKID STEERS

The Extreme-Duty Ground Shark® Brush Cutter is engineered to clear dense brush and hardwoods up to 7" in diameter. Its patent-pending retractable forward shield moves up and back upon contact with a tree, protecting the operator from flying debris while exposing the entire cutting edge of each blade. Additionally, it is CE certified for international use.

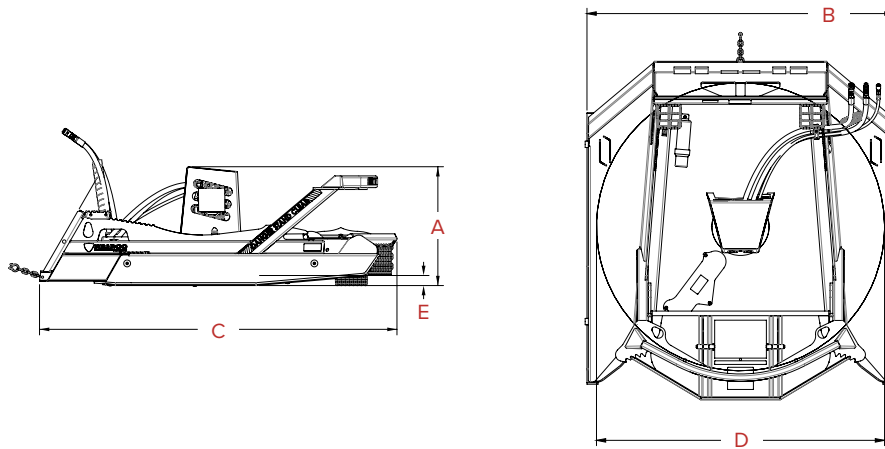
GROUND SHARK®

HEAVY & EXTREME DUTY FOR SKID STEER LOADERS

FEATURES

- Retractable cutting forward shield that is exclusively patented (Patent Pending). When dealing with trees or brush larger than 4" in diameter, the shield will automatically retract, optimizing the performance of the equipment
- Standard pressure gauge indicator, standard on GS models (optional on GSE models), easily visible to the operator helps prevent excessive stalling and overheating
- Heavy duty push bar pushes trees away from the operator and provides additional control when felling trees
- Optional bolt-on carbide stump grinding teeth increases mulching performance and take the stump down to ground level

SPECIFICATIONS



	HEAVY DUTY (20-34 GPM)		EXTREME DUTY (30-45 GPM)	
	66GSE	72GSE	72GS	78GS
A. OVERALL HEIGHT	28.13 IN. / 715 MM	28.13 IN. / 715 MM	28.13 IN. / 715 MM	28.13 IN. / 715 MM
B. OVERALL WIDTH	71.13 IN. / 1806 MM	77.13 IN. / 1959 MM	77.13 IN. / 1959 MM	83.13 IN. / 2112 MM
C. OVERALL LENGTH	81.75 IN. / 2076 MM	85.59 IN. / 2174 MM	85.59 IN. / 2174 MM	91.62 IN. / 2327 MM
D. CUTTING WIDTH	66.00 IN. / 1676 MM	72.00 IN. / 829 MM	72.00 IN. / 1829 MM	78.00 IN. / 1982 MM
E. MIN. CUTTING HEIGHT (SKID SHOES ON GROUND)	2.50 IN. / 64 MM	2.50 IN. / 64 MM	3.25 IN. / 83 MM	3.25 IN. / 83 MM
MIN. STUMP GRINDING HEIGHT (W/ OPTIONAL TOOTH KIT)	.75 IN. / 19 MM	.50 IN. / 13 MM	.38 IN. / 10 MM	.38 IN. / 10 MM
WEIGHT	1605 LBS / 728 KG	1800 LBS / 816 KG	2008 LBS / 911 KG	2267 LBS / 1028 KG
CUTTING CAPACITY (MAXIMUM TREE DIAMETER)	7.00 IN. / 178 MM		7.00 IN. / 178 MM	
DECK THICKNESS	1/4 IN. HIGH STRENGTH STEEL		1/4 IN. HIGH STRENGTH STEEL	
MAXIMUM OPERATING PRESSURE (ATTACHMENT)	3500 PSI / 241 BAR		4000 PSI / 276 BAR	
RECOMMENDED	20-34 GPM / 76-129 LPM		30-45 GPM / 114-170 LPM	
REQUIRED SKID STEER LIFTING CAPACITY	2200 LBS / 998 KG		2400 LBS / 1089 KG	2700 LBS / 1225 KG