



## 220 SERIES ANGLE BROOM (QCSS)

FOR SKID STEER LOADERS

The Sweepster® QCSS Angle Broom (SSL Angle Sweeper - Hydraulic Drive) is ideal for skid steer mount and can be used for windrowing material in multiple directions. It is available in manual and hydraulic angle variations, with a width range of 60 to 96 inches. Additionally, this product is available in a CE certified version.

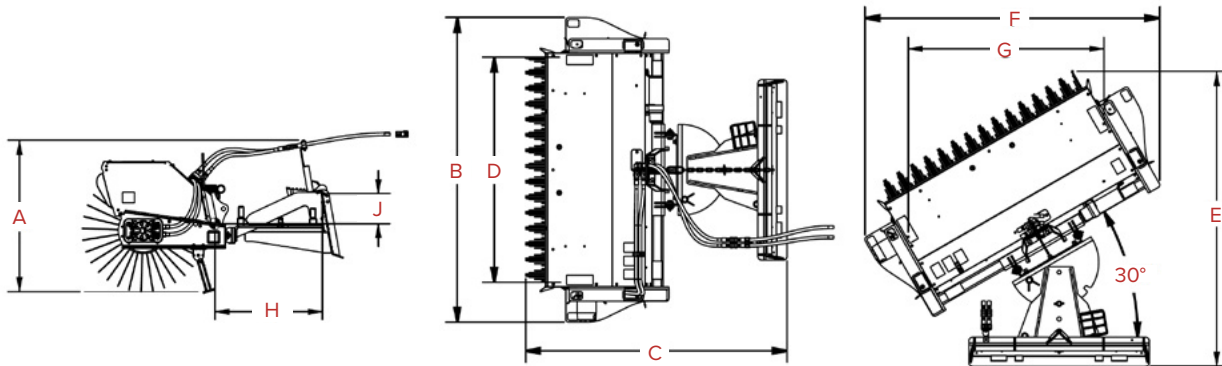
# 220 SERIES ANGLE BROOM (QCSS)

FOR SKID STEER LOADERS

## FEATURES

- Drive slips out of core without removing hydraulic lines from wheel motor
- Brush core is reversible for even brush wear
- 32" diameter brush for longer life
- Angles manually 30 degrees left/right
- Faceted hood design provides maximum strength at ends of the hood
- Choose poly, wire, or poly/wire brush
- Includes skid steer mounting

## SPECIFICATIONS



CLASS	5'	6'	7'	8'
A. OVERALL HEIGHT	39.6 IN. / 1006 MM	39.6 IN. / 1006 MM	39.6 IN. / 1006 MM	39.6 IN. / 1006 MM
B. OVERALL WIDTH	79.8 IN. / 2027 MM	91.8 IN. / 2332 MM	103.8 IN. / 2636 MM	115.8 IN. / 2941 MM
C. OVERALL LENGTH	68.5 IN. / 1740 MM	68.5 IN. / 1740 MM	68.5 IN. / 1740 MM	68.5 IN. / 1740 MM
D. SWEEPING WIDTH	60 IN. / 1524 MM	72 IN. / 1829 MM	84 IN. / 2134 MM	96 IN. / 2438 MM
E. OVERALL LENGTH @ 30° ANGLE	77 IN. / 1956 MM	80 IN. / 2032 MM	83 IN. / 2108 MM	86 IN. / 2184 MM
F. OVERALL WIDTH @ 30° ANGLE	77.3 IN. / 1963 MM	87.7 IN. / 2228 MM	98.1 IN. / 2492 MM	108.5 IN. / 2756 MM
G. SWEEPING WIDTH @ 30° ANGLE	52 IN. / 1321 MM	62.4 IN. / 1585 MM	72.8 IN. / 1849 MM	83.2 IN. / 2113 MM
H. CENTER OF GRAVITY (HORIZONTAL)				
MANUAL ANGLE/SINGLE MOTOR	28.1 IN. / 714 MM	29 IN. / 737 MM	29.8 IN. / 757 MM	30.4 IN. / 772 MM
MANUAL ANGLE/DUAL MOTOR	28.8 IN. / 731 MM	29.6 IN. / 752 MM	30.3 IN. / 770 MM	30.9 IN. / 785 MM
HYDRAULIC ANGLE/SINGLE MOTOR	27.2 IN. / 691 MM	28.1 IN. / 714 MM	28.9 IN. / 734 MM	29.6 IN. / 752 MM
HYDRAULIC ANGLE/DUAL MOTOR	27.9 IN. / 709 MM	28.7 IN. / 729 MM	29.4 IN. / 747 MM	30 IN. / 762 MM
J. CENTER OF GRAVITY (VERTICAL)	7.8 IN. / 198 MM	7.8 IN. / 198 MM	7.8 IN. / 198 MM	7.8 IN. / 198 MM
WEIGHT - MANUAL ANGLE/SINGLE 17 CID MOTOR**	815 LBS / 370 KG	865 LBS / 406 KG	915 LBS / 415 KG	965 LBS / 438 KG
WEIGHT - MANUAL ANGLE/SINGLE 25 CID MOTOR**	820 LBS / 372 KG	870 LBS / 395 KG	920 LBS / 417 KG	970 LBS / 440 KG
WEIGHT - MANUAL ANGLE/DUAL 17 CID MOTOR**	845 LBS / 383 KG	895 LBS / 406 KG	945 LBS / 429 KG	995 LBS / 451 KG
HYDRAULIC FLOW - SINGLE 17 CID MOTOR		10 - 18 GPM / 37 - 68 LPM		
HYDRAULIC FLOW - SINGLE 25 CID MOTOR		15 - 25 GPM / 57 - 95 LPM		
HYDRAULIC FLOW - DUAL 17 CID MOTOR		18 - 35 GPM / 68 - 132 LPM		
MAXIMUM PRESSURE		3000 PSI / 207 BAR		
** ADD +40 LBS FOR HYDRAULIC ANGLE				