



www.paladinattachments.com



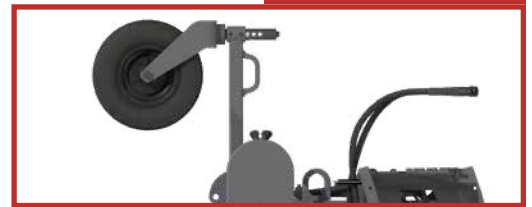
Simplified Tire Height Adjustment



Toolless Adjustable Barrier



Fold Up Caster Arms



Dual Pin Box End Disconnect



# MX SERIES POWER RAKES

FOR SKID STEER LOADERS

The Paladin® Rake features a 6-inch polypropylene barrier that can be adjusted to choose the desired size of material to be left on the seedbed. The barrier is rigid enough for pushing while also being flexible enough to allow damaging debris to pass through. The tool also has a proprietary tooth design made of pure carbide that is uniquely shaped to optimize the seedbed's sub-base fracture pattern, as well as to improve moisture retention and release.

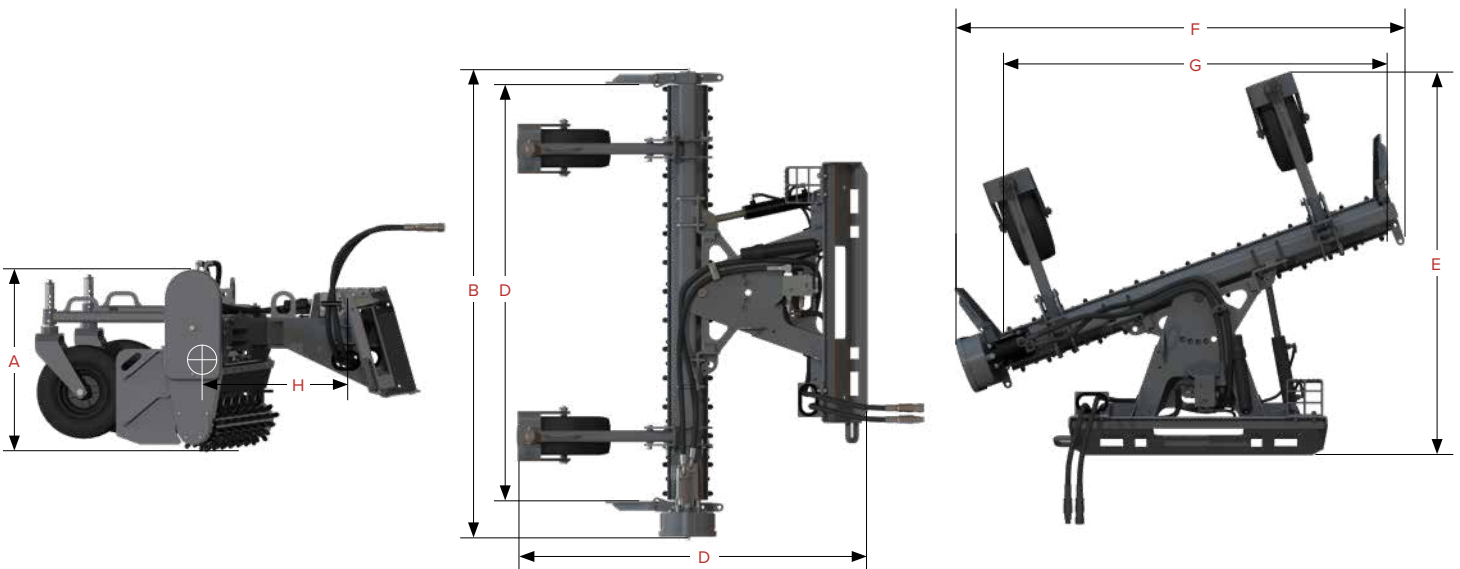
# MX SERIES POWER RAKES

FOR SKID STEER LOADERS

## FEATURES

- Solid tires eliminate flats to maximize uptime and productivity on debris-heavy jobsites
- Bi-directional motor allows the drum to rotate in either direction maximizing flexibility
- Pure carbide teeth design - specially shaped to ensure the best possible seedbed sub-base fracture pattern and superior moisture retention and release
- The box-end plates are engineered for quick and easy removal, enabling windrowing and reverse box raking without the need for bolts. Simply pull the pins to detach them
- Dual independently adjustable gauge wheels allow for skim passes for seeding - or - adjust to grade and contour

## SPECIFICATIONS



	MX5	MX6	MX7	MX8
A. OVERALL HEIGHT	32.9 IN.	33.2 IN.	33.2 IN.	37.3 IN.
B. OVERALL WIDTH	71.7 IN.	81.7 IN.	93.6 IN.	100.7 IN.
C. OVERALL LENGTH	60.8 IN.	60.8 IN.	60.8 IN.	67.8 IN.
D. RAKING WIDTH	62 IN.	72 IN.	84 IN.	90 IN.
E. OVERALL LENGTH @ 20°	67.1 IN.	68.6 IN.	70.8 IN.	77.8 IN.
F. OVERALL WIDTH @ 20°	71.1 IN.	80.4 IN.	91.7 IN.	97.8 IN.
G. RAKING WIDTH @ 20°	60.4 IN.	69.8 IN.	81.1 IN.	86.9 IN.
H. CENTER OF GRAVITY - MANUAL ANGLE	21.8 IN.	21.9 IN.	21.9 IN.	23.7 IN.
H. CENTER OF GRAVITY - HYDRAULIC ANGLE	21.4 IN.	21.6 IN.	21.6 IN.	23.3 IN.
WEIGHT - MANUAL ANGLE	900 LBS	954 LBS	1000 LBS	1120 LBS
WEIGHT - HYDRAULIC ANGLE	937 LBS	993 LBS	1037 LBS	1150 LBS
FLOW RANGE	13 - 20 GPM	13 - 25 GPM	15 - 25 GPM	17 - 40 GPM
HYD. MOTOR DISP. (C.I.)	12.3	12.5	15	15
# OF MOTORS	1	1	1	1
MAX PRESSURE (PSI)	3000 PSI	3000 PSI	3000 PSI	3000 PSI
MAX ARTICULATION	20°	20°	20°	20°
RAKE TOOTH TIP DIAMETER	9 IN.	9 IN.	9 IN.	9 IN.



2800 Zeeb Road // Dexter, MI 48130 // 833-723-1843 // [www.PaladinAttachments.com](http://www.PaladinAttachments.com)