



PALLET FORKS

FOR SKID STEER LOADERS

The Signature Series Pallet Forks by Paladin® feature a lightweight yet durable frame that can handle a larger payload. With an open guard that offers excellent visibility, a patented "D" ring for lifting, and dual side steps that make it easy to access the operator compartment, these pallet forks are designed for maximum efficiency. Additionally, the walk-thru carriage design has an open frame, allowing for safe and easy access to the operator compartment on the loader without any tripping hazards.

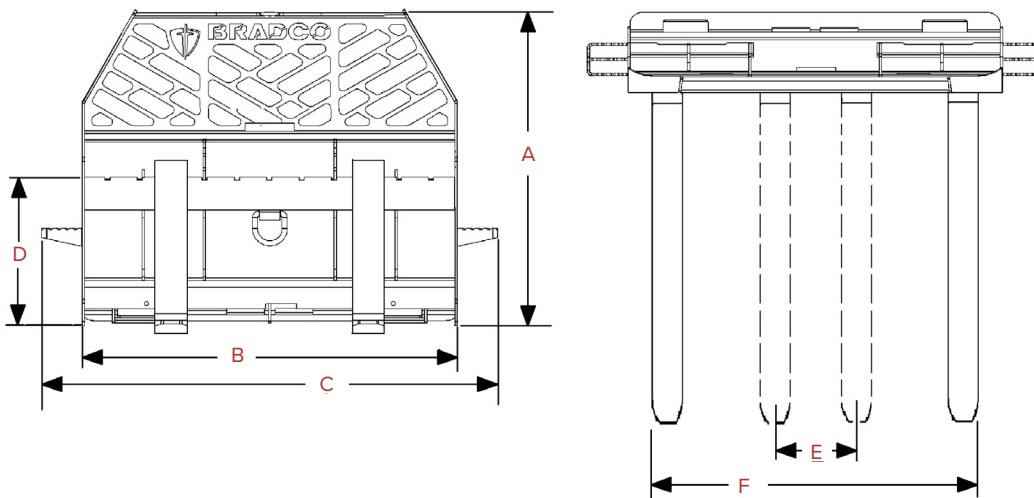
PALLET FORKS

FOR SKID STEER LOADERS

FEATURES

- Lever style locks provide additional leverage when operating the tine latching mechanism
- Patented pull “D” ring design can be used to pull loads out of trucks, retain loads, and much more. US Patent # 6,881,023
- Excellent see through visibility allows the operator to see tine ends
- Walk-Thru carriage design has an open frame for easy, safe access to operator compartment on loader
- Heavy gauge brick guard offers outstanding strength and smooth surfaces for protection against load damage

SPECIFICATIONS



	45"	60"	WALK-THRU
A. OVERALL HEIGHT	39.38 IN. / 1000 MM	38.75 IN. / 984 MM	37.5 IN. / 952 MM
B. OVERALL WIDTH (WITHOUT STEP)	45.88 IN. / 1165 MM	60.75 IN. / 1543 MM	45.88 IN. / 1165 MM
C. OVERALL WIDTH (WITH STEP)	55.5 IN. / 1410 MM	65.75 IN. / 1670 MM	-
D. ITA CATEGORY II FORK MOUNTING	16 IN. / 406 MM	16 IN. / 406 MM	16 IN. / 406 MM
E. ADJUSTABLE TINE SPACING (MINIMUM)	8 IN. / 203 MM	9 IN. / 228 MM	8 IN. / 203 MM
F. ADJUSTABLE TINE SPACING (MAXIMUM)	44 IN. / 1118 MM	60 IN. / 1524 MM	44 IN. / 1118 MM