



PALADIN®

BRADCO

www.paladinattachments.com



COLD PLANERS

FOR SKID STEER LOADERS

Paladin's™ cold planer is a highly effective tool for small milling jobs, as well as repairing asphalt and concrete potholes and frost heaves, cutting curbs, texturing pavement, and removing lane stripes and roadway around manholes.

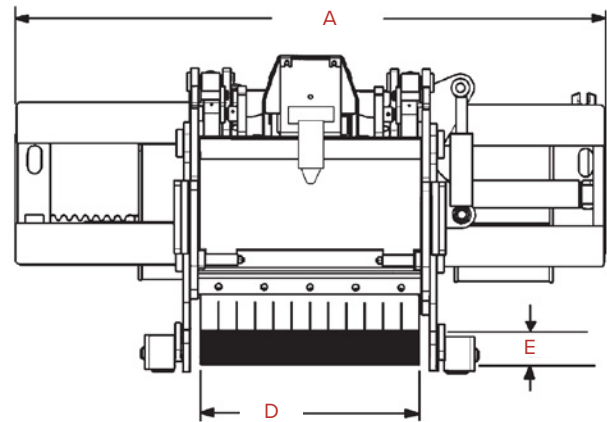
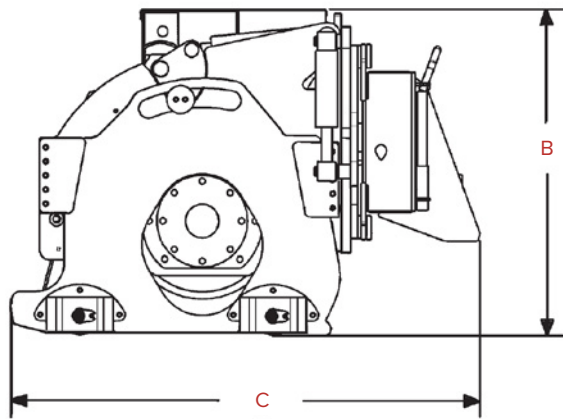
COLD PLANERS

FOR SKID STEER LOADERS

FEATURES

- Independent self-leveling depth adjustment plates
- Planetary drive delivers high torque
- High rear spoil clearance to prevent recirculation of material
- Protective shields for hydraulic & electrical components
- Fully adjustable with electro-hydraulic controls
- The option for manual depth and tilt is exclusively available on the standard flow Cold Planer
- Convenient for milling frost heaves, expansion joints, railroad approaches, etc.
- Water nozzle kit standard with intergral nozzle pots

SPECIFICATIONS



	SP300	HP400	HP450	HP600	HP750	HP1000
A. OVERALL WIDTH	51.94 IN. / 1295 MM	64.94 IN. / 1649 MM	64.94 IN. / 1649 MM	64.94 IN. / 1649 MM	64.94 IN. / 1649 MM	64.94 IN. / 1649 MM
B. OVERALL HEIGHT	32.15 IN. / 817 MM	34.57 IN. / 878 MM	34.57 IN. / 878 MM	34.57 IN. / 878 MM	34.57 IN. / 878 MM	34.57 IN. / 878 MM
C. OVERALL LENGTH	43.86 IN. / 1114 MM	50.30 IN. / 1278 MM	50.30 IN. / 1278 MM	50.30 IN. / 1278 MM	50.30 IN. / 1278 MM	50.30 IN. / 1278 MM
D. PLANING WIDTH	12 IN. / 305 MM	16 IN. / 406 MM	18 IN. / 457 MM	24 IN. / 610 MM	30 IN. / 762 MM	40 IN. / 1016 MM
E. PLANING DEPTH	0 - 5 IN. / 0 - 127 MM	0 - 5 IN. / 0 - 127 MM	0 - 5 IN. / 0 - 127 MM	0 - 5 IN. / 0 - 127 MM	0 - 5 IN. / 0 - 127 MM	0 - 5 IN. / 0 - 127 MM
DRUM DIAMETER	19 IN. / 483 MM	22 IN. / 559 MM	22 IN. / 559 MM	22 IN. / 559 MM	22 IN. / 559 MM	22 IN. / 559 MM
NUMBER OF PICKS	37	43	45	57	69	89
WEIGHT	1500 LBS / 680 KG	2150 LBS / 975 KG	2200 LBS / 998 KG	2400 LBS / 1087 KG	2600 LBS / 1179 KG	3100 LBS / 1406 KG
FLOW REQUIREMENT	15 - 22 GPM	22 - 40 GPM	22 - 40 GPM	22 - 40 GPM	22 - 40 GPM	31 - 40 GPM



2800 N. Zeeb Road // Dexter, MI 48130 // 833-723-1843 // www.paladinattachments.com