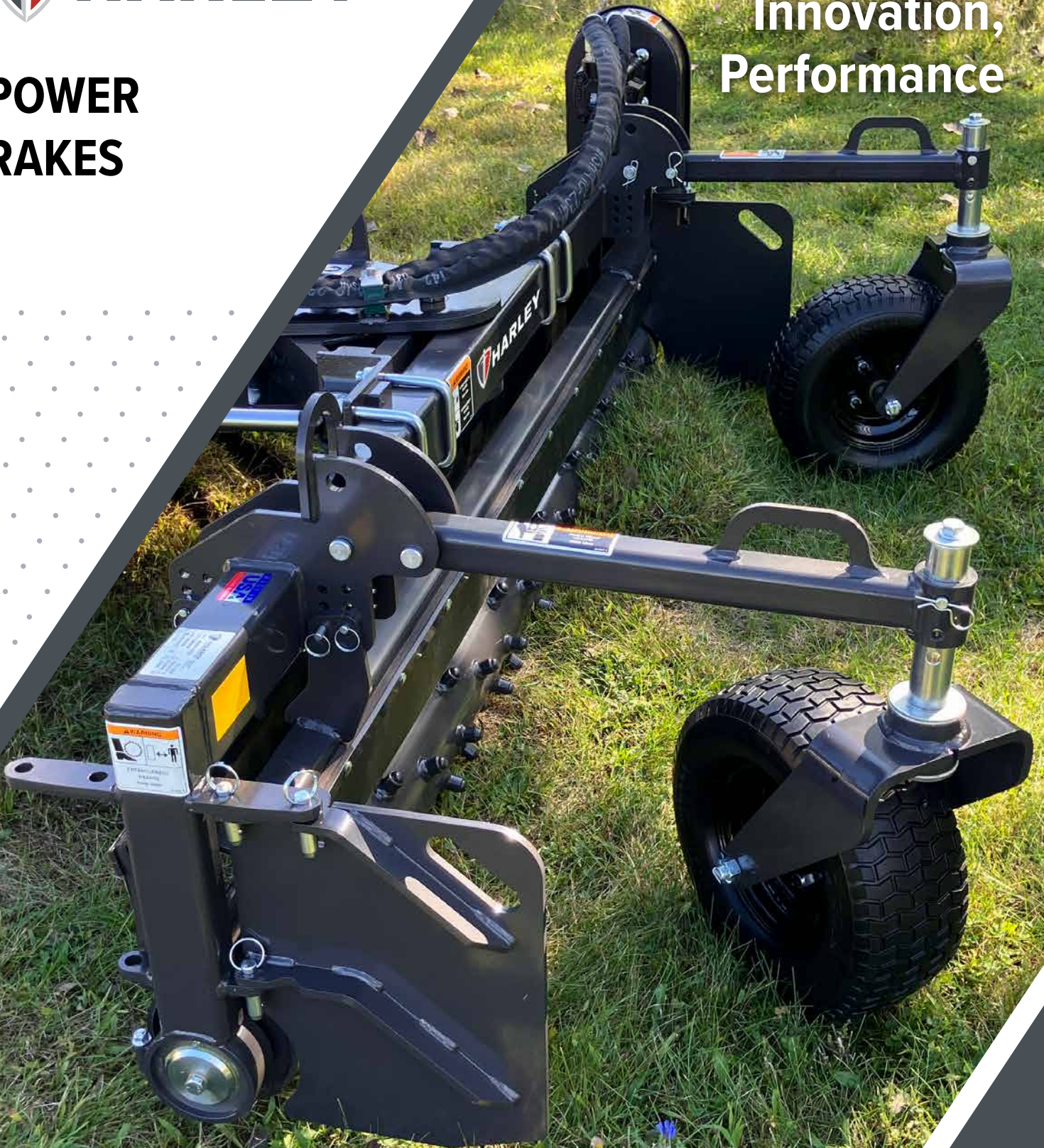




# POWER RAKES

Selection,  
Innovation,  
Performance



# POWER RAKE FEATURES



## Wheels

- Dual independently adjustable gauge wheels provide the versatility to accomplish several jobs with one machine, increasing productivity
- Allows for skim passes before seeding
- Can adjust to cut drainage grades and other contours
- Wheels fold up and away for easy storage and transport on all models



## Tooth Patterns

- The optimized and patented tooth patterns have been designed to create the perfect seedbed for promoting optimal germination and growth conditions
- Maximizes seeding ability with fewer passes, increasing productivity
- The pure carbide proprietary teeth provide long operating life
- The special blunt shape creates the best seedbed sub base that promotes a fracture pattern and superior moisture retention/release capabilities
- Allows efficient windrowing when angled left or right
- Constant down pressure creates a clean seedbed every time



## Adjustable Barrier

- Independently adjustable 6" polypropylene barriers allows you to quickly choose the size of material you want to leave on the seedbed. The barrier is stiff enough for pushing yet flexible enough to absorb impacts and keep working
- Allows for versatility in how material is processed/dispensed
- Lets the operator open up muddy/soggy jobsites quickly



## Box End

- Dual position box-end plates allow for windrowing and directing material while operating the prime mover in forward and reverse
- They can be flared out for working along foundations or sidewalks
- Box-ends help contain and direct raked debris like rocks, roots, etc.
- No tools required

# DRIVE SPECIFIC FEATURES



## Chain Drive Features

- Low profile chain case on the Harley Power Rake minimizes soil disturbance from the case below the plane of the engaged teeth
- The enclosed chain drive with center chain idler has been proven to prolong drive chain life by eliminating chain slap and compensating for chain stretch
- Sprocket ratio delivers torque multiplication, keeping the drum turning in packed or rocky soils
- Chain drive and narrow frame ends allow the drum to work close to the edges of hardscapes

## Direct Drive Features

- Dual high-torque bi-directional motors maintain consistent drum speed in forward and reverse
- High quality and durable motors provide high torque and superior performance
- The motor sits tucked behind guards which improves protection and sightlines along the side plate
- Fewer moving parts for reduced service complexity
- The direct drive motor ensures smooth drum operation and eliminates any rattling noise

# CHAIN DRIVE MX SERIES POWER RAKES

## FOR SKID STEER LOADERS



- Solid tires eliminate flats to maximize uptime and productivity on debris-heavy jobsites
- Bi-directional motor allows the drum to rotate in either direction maximizing flexibility
- Pure carbide teeth design - specially shaped to ensure the best possible seedbed sub-base fracture pattern and superior moisture retention and release
- The box-end plates are engineered for quick and easy removal, enabling windrowing and reverse box raking without the need for bolts. Simply pull the pins to detach them
- Dual independently adjustable gauge wheels allow for skim passes for seeding - or - adjust to grade and contour

### Simplified Tire Height Adjustment



The tire height adjustment system has been streamlined for ease of use, now allowing changes with a single pin at preset 1-inch intervals. Additionally, tire sizes have been standardized across models ranging from 5 to 8 feet, ensuring compatibility and simplifying maintenance.

### Toolless Adjustable Barrier



The barriers adjust tool-free with two quick release pins on each end pin at preset  $\frac{3}{4}$ " intervals, operable by one person.

### Fold Up Caster Arms



The caster arms now feature a simplified fold-up design, replacing U-bolts with a single pin for quick release. Operators can fold the arms by pulling just one pin, streamlining the process. Additionally, the caster arm wall thickness has been increased for enhanced durability.

### Dual Pin Box End Disconnect

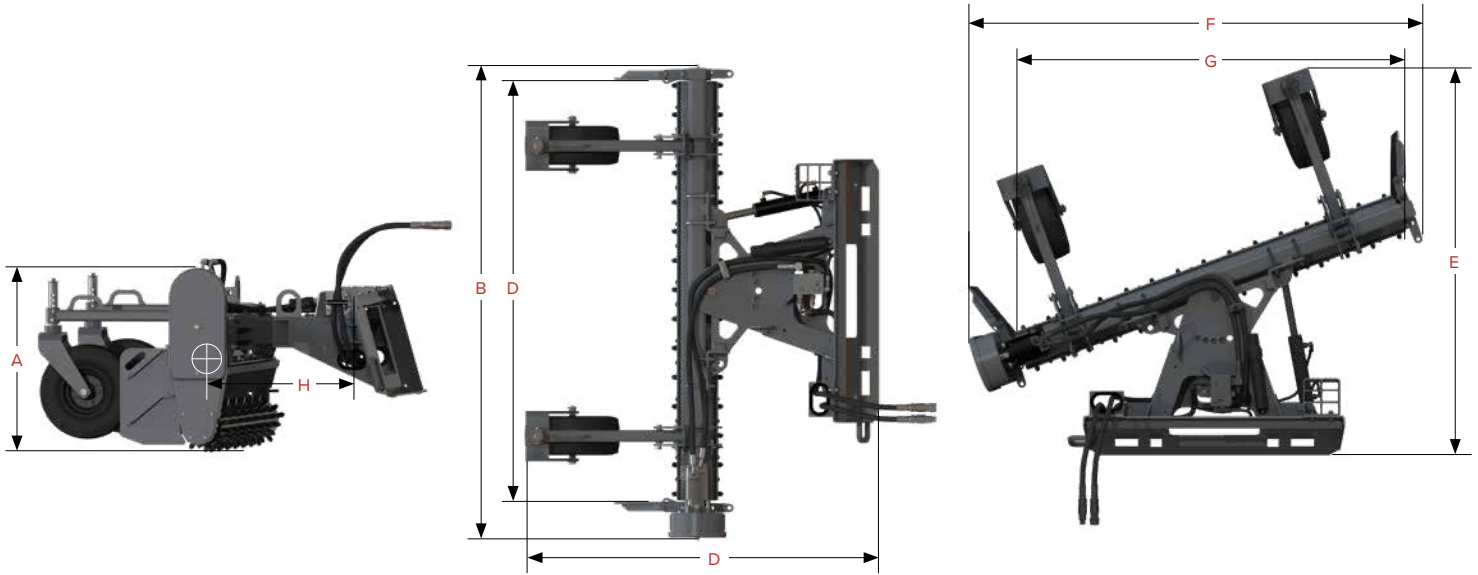


The dual pin box end now uses a single pin for angle changes and two pins for removal, no lifting required. Box end sizes are standardized across 5'–8' models.

# CHAIN DRIVE MX SERIES POWER RAKES

FOR SKID STEER LOADERS

## SPECIFICATIONS



	MX5	MX6	MX7	MX8
A. OVERALL HEIGHT	32.9 IN.	33.2 IN.	33.2 IN.	37.3 IN.
B. OVERALL WIDTH	71.7 IN.	81.7 IN.	93.6 IN.	100.7 IN.
C. OVERALL LENGTH	60.8 IN.	60.8 IN.	60.8 IN.	67.8 IN.
D. RAKING WIDTH	62 IN.	72 IN.	84 IN.	90 IN.
E. OVERALL LENGTH @ 20°	67.1 IN.	68.6 IN.	70.8 IN.	77.8 IN.
F. OVERALL WIDTH @ 20°	71.1 IN.	80.4 IN.	91.7 IN.	97.8 IN.
G. RAKING WIDTH @ 20°	60.4 IN.	69.8 IN.	81.1 IN.	86.9 IN.
H. CENTER OF GRAVITY - MANUAL ANGLE	21.8 IN.	21.9 IN.	21.9 IN.	23.7 IN.
H. CENTER OF GRAVITY - HYDRAULIC ANGLE	21.4 IN.	21.6 IN.	21.6 IN.	23.3 IN.
WEIGHT - MANUAL ANGLE	900 LBS	954 LBS	1000 LBS	1120 LBS
WEIGHT - HYDRAULIC ANGLE	937 LBS	993 LBS	1037 LBS	1150 LBS
FLOW RANGE	13 - 20 GPM	13 - 25 GPM	15 - 25 GPM	17 - 40 GPM
HYD. MOTOR DISP. (C.I.)	12.3	12.5	15	15
# OF MOTORS	1	1	1	1
MAX PRESSURE (PSI)	3000 PSI	3000 PSI	3000 PSI	3000 PSI
MAX ARTICULATION	20°	20°	20°	20°
RAKE TOOTH TIP DIAMETER	9 IN.	9 IN.	9 IN.	9 IN.

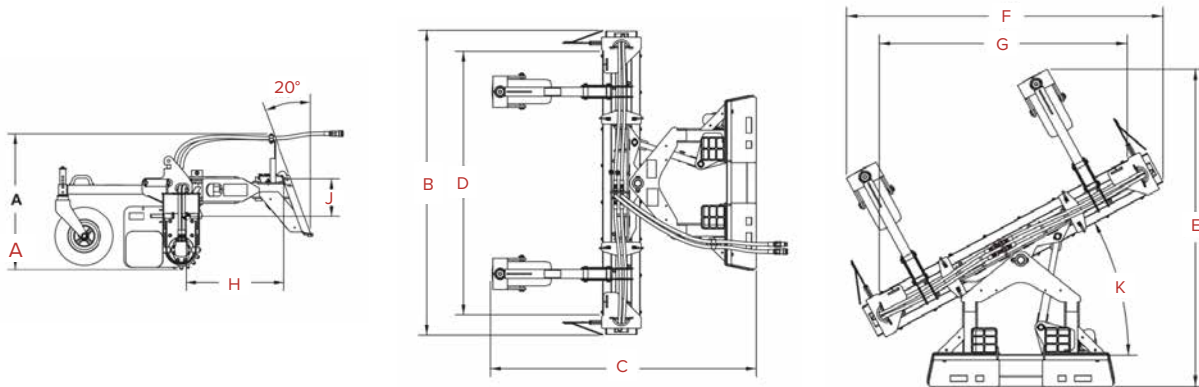
# DIRECT DRIVE POWER RAKES

## FOR SKID STEER LOADERS



- Minimum 12 GPM required
- Dual direct drive motors
- Manual and hydraulic angle (20°)
- Flip up wheel arms for easy storage and transport
- Bi-directional motors allow the drum to rotate in either direction maximizing flexibility
- Available with manual or hydraulic angling to angle 20 degree in either direction; also available as a rigid-mount, with 4-bar floating linkage, or with 3-point hitch (hydraulic drive)
- Dual direct-drive motors efficiently transfer power to the roller, heavy-duty frame extends life.
- Designed to work on skid-steers, backhoe-loaders, small wheel loaders and utility loaders

## SPECIFICATIONS



	72"	90"
A. OVERALL HEIGHT	38 IN.	38 IN.
B. OVERALL WIDTH	83.3 IN.	101.4 IN.
C. OVERALL LENGTH	72.7 IN.	72.7 IN.
D. RAKING WIDTH	72 IN.	90 IN.
F. OVERALL LENGTH @ 28.5°	81.1 IN.	85.4 IN.
F. OVERALL WIDTH @ 28.5°	80.8 IN.	96.1 IN.
G. RAKING WIDTH @ 28.5°	63.3 IN.	79.2 IN.
H. CENTER OF GRAVITY - HORIZONTAL	27.3 IN.	27.4 IN.
J. CENTER OF GRAVITY - VERTICAL	10.4 IN.	10.7 IN.
K. SWING ANGLE	28.5°	28.5°
WEIGHT - MANUAL ANGLE	1040 LBS	1120 LBS
WEIGHT - HYDRAULIC ANGLE	1045 LBS	1125 LBS
REQUIRED FLOW	12 - 40 GPM	12 - 40 GPM
MAXIMUM PRESSURE	3500 PSI	3500 PSI

# DIRECT DRIVE MINI POWER RAKE

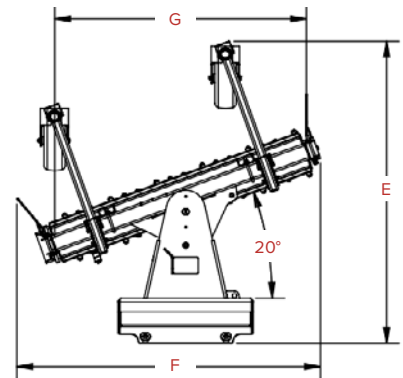
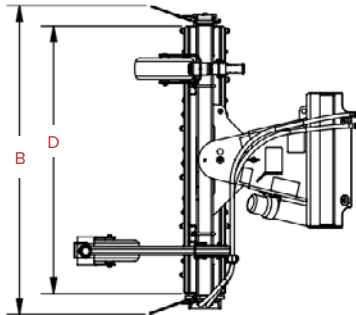
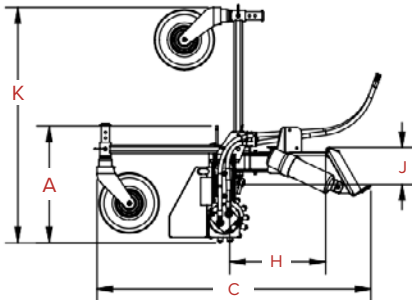
## FOR COMPACT TOOL CARRIERS



- 8-15 GPM direct drive motor
- 48" width (45.2" raking width at full angle)
- Manual and hydraulic angle (20°)
- Flip up wheel arms for easy storage and transport

- Direct drive motor is embedded within frame and drum providing optimal protection from dirt and debris
- Bi-directional motor allows the drum to rotate in either direction maximizing flexibility.
- Adjustable polypropylene barrier above the roller allows you to quickly react to soil moisture conditions. You can choose the size of the material you want to leave in the seedbed. Raising the barrier promotes faster soil drying and opening up of muddy sites.
- Proprietary tooth pattern design. Specially shaped and placed carbide teeth ensure the best possible seedbed sub-base fracture pattern and superior moisture retention and release
- Easily removable box-end plates for windrowing and reverse box raking...no bolts, just pull the pins.
- Dual independently adjustable gauge wheels allow skim passes for over-seeding - or - adjust to cut drainage grades. Simple height adjustment utilizes bail pins for improved reliability.

## SPECIFICATIONS



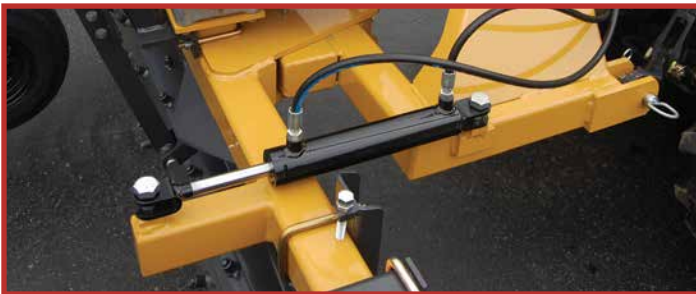
	D4
A. OVERALL HEIGHT	20.8 IN.
B. OVERALL WIDTH	55.4 IN.
C. OVERALL LENGTH	49.1 IN.
D. RAKING WIDTH	48 IN.
E. OVERALL LENGTH @ 20°	54.1 IN.
F. OVERALL WIDTH @ 20°	54.5 IN.
G. RAKING WIDTH @ 20°	45.2 IN.
H. CENTER OF GRAVITY - HORIZONTAL	17.2 IN.
J. CENTER OF GRAVITY - VERTICAL	6.5 IN.
K. OVERALL HEIGHT - CASTER UP	42.1 IN.
WEIGHT - MANUAL ANGLE	365 LBS
WEIGHT - HYDRAULIC ANGLE	380 LBS
REQUIRED FLOW	8 - 15 GPM
MAXIMUM PRESSURE	3000 PSI

# PTO DRIVE T-SERIES POWER RAKES

## FOR 3-POINT TRACTORS



- Range of 12-80 hp with PTO drive- range depends on model
- Manual and hydraulic angle (15°)
- Grease-able, triple-sealed and shielded bearings for extra protection and long life
- Harley's well designed frame geometry offers excellent visibility of your work surface
- Dual independently adjustable gauge wheels allow for skim passes for over seeding - or - adjust to cut drainage grades
- Angling capability powered by the tractor hydraulics, allowing the operator to angle right or left for directing material



Angling capability powered by the tractor hydraulics



Unique Tractor Mount Compensation Slot for attachment of the three point arm, fixed or floating, depending upon job site requirements



The Roll Back Barrier's Aperture Control gives the operator 5 separate control options over how the material is handled by the roller and teeth.



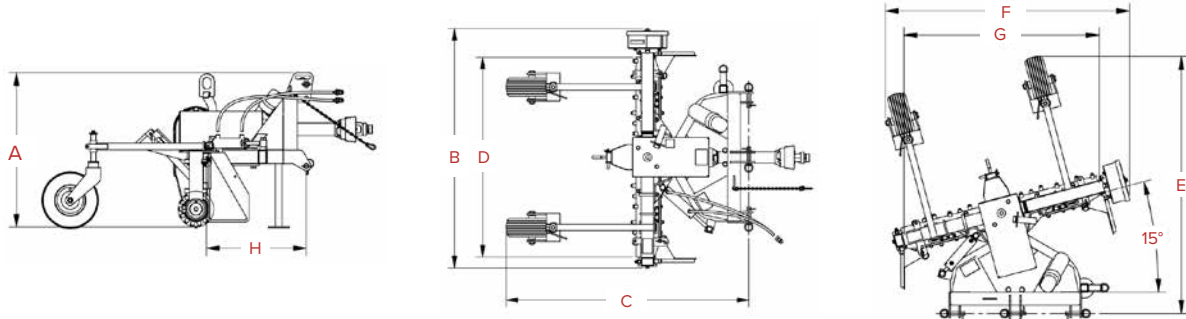
Each position change allows the effective surface of the roller to grow. Each position has a different effect on the material being prepared.



# PTO DRIVE T-SERIES POWER RAKE

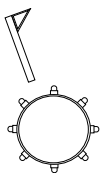
FOR 3-POINT TRACTORS

## SPECIFICATIONS



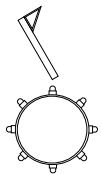
	TM4	TM5	TM6	TM7	TM8
<b>A. OVERALL HEIGHT</b>	33.9 IN.	33.9 IN.	40.2 IN.	43.7 IN.	43.7 IN.
<b>B. OVERALL WIDTH</b>	57.5 IN.	69.5 IN.	82.6 IN.	94.6 IN.	100.5 IN.
<b>C. OVERALL LENGTH</b>	58.2 IN.	58.2 IN.	63.5 IN.	68.9 IN.	68.9 IN.
<b>D. RAKING WIDTH</b>	48 IN.	60 IN.	72 IN.	84 IN.	90 IN.
<b>E. OVERALL LENGTH @ 15°</b>	61.2 IN.	62.5 IN.	68.5 IN.	75.1 IN.	75.9 IN.
<b>F. OVERALL WIDTH @ 15°</b>	58 IN.	68.6 IN.	80.5 IN.	92.1 IN.	98 IN.
<b>G. RAKING WIDTH @ 15°</b>	46.4 IN.	58 IN.	69.5 IN.	81.1 IN.	86.9 IN.
<b>H. CENTER OF GRAVITY - MANUAL ANGLE</b>	22 IN.	21.8 IN.	25.6 IN.	-	-
<b>H. CENTER OF GRAVITY - HYDRAULIC ANGLE</b>	21.9 IN.	21.7 IN.	25.6 IN.	27.1 IN.	27.2 IN.
<b>WEIGHT</b>	525 LBS	555 LBS	865 LBS	1290 LBS	1345 LBS
<b>HORSEPOWER RANGE</b>	15 - 22 HP	18 - 32 HP	30 - 40 HP	42 - 80 HP	42 - 80 HP
<b>TRACTOR 3-POINT MOUNT CATEGORY</b>	CAT I	CAT I	CAT I	CAT II	CAT II
<b>ASAE MINIMUM LIFT REQUIREMENT</b>	504 LBS	504 LBS	903 LBS	1510 LBS	1510 LBS

## APERTURE: THE SPACE BETWEEN THE TOP OF THE ROLLER AND THE BARRIER EDGE



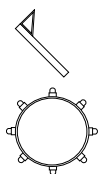
### POSITION 1

Optimal for moving or carrying soils or material. Keeps material moving versus bulding into a large packed pile unable to “breathe and dry”.



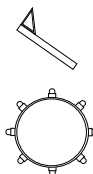
### POSITION 2

The barrier’s edge is now directly over the centerline of the roller. Contact area for the roller and teeth is made larger allowing for an increased “grinding” effect on the material.



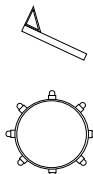
### POSITION 3

The aperture is now larger and the contact area for the roller and teeth is increased even more allowing for more aggressive handling of clumps of material. Reduced particle sizes will slip over the roller.



### POSITION 4

More material is allowed to pass over the roller. Less horsepower is required to pull the rake. Travel speed and productivity are increase This position is best used where soils have less rock and debris and are less hard and chunky.



### POSITION 5

This position is optimal for opening-up and drying muddy conditions allowing sod to process over the roller, aiding drying of its root mass. This is also great for reconditioning stone roads and parking lots. This is the best position for soil conditioning.

# POWER RAKES

---

FFC AND HARLEY POWER RAKES PREPARE SEEDBEDS, CUT GRADES, GRADE DIRT AND GRAVEL ROADS.

## BEFORE RAKING



## AFTER RAKING





**SELECTION.  
INNOVATION.  
PERFORMANCE.**

